



# **BLACK 15**

## **User Guide**

English ( 3 – 7 )

## **Guía del usuario**

Español ( 8 – 12 )

## **Guide d'utilisation**

Français ( 13 – 17 )

## **Guida per l'uso**

Italiano ( 18 – 22 )

## **Benutzerhandbuch**

Deutsch ( 23 – 27 )

## **Gebruikershandleiding**

Nederlands ( 28 – 32 )



# User Guide (English)

## Introduction

Alto Professional's Black Series is a full line of elite speaker systems, each designed to exacting standards with premium, purpose-matched components, wireless capability and immense built-in power. Black Series speakers have been designed with one goal in mind: satisfying the ears of your audience with the most gratifying and immersive sound experience they've ever had. Each Black Series speaker has been crafted to thunder with finely tuned sound in a virtually limitless variety of applications—from touring rigs to permanent installations and everything in between. And with 2400 watts of peak power, each one comes equipped to thrill.

## Key Features

- 2400 Watts peak Class D power (1200 Watts continuous)
- Wireless connectivity for remote setup and sound-shaping control
- Works with Alto Professional's Live Drive wireless speaker app for iPad and iPhone
- App allows level-matching, EQ adjustment, time alignment, compression and more
- Optimized 90° x 60° coverage field
- DSP-controlled with custom crossover, superior tuning and active thermal protection
- Specifically designed, purpose-matched components for maximum efficiency and industry-leading power
- Precision-engineered HF waveguide, extensively tested for optimized audience coverage
- Built-in mixer with two Mic/Line combo inputs, volume controls and balanced XLR mix output
- 15" low-frequency transducer, 1.75" driver
- Contour switch for increased EQ control
- Ground Lift switch to disconnect signal ground from chassis ground
- Switch to turn off logo LED
- Lightweight, portable design with comfortable, custom-molded handles
- Heavy-duty 18 mm hardwood plywood cabinet
- Rugged, highly durable scratch-resistant finish
- Use as traditional PA loudspeaker or as floor wedge monitor
- Steel-reinforced rubber feet on bottom and side
- Heavy-duty, powder-coated steel speaker grille
- Stand and pole-mountable via standard 35 mm socket
- Flyable via 12 M10 rigging points
- Designed and tuned in the U.S.A.

## Box Contents

- Black 15
- Power Cord
- User Guide
- Safety & Warranty Manual

## Support

For the latest information about this product (system requirements, compatibility information, etc.) and product registration, visit [altoprofessional.com/black15](http://altoprofessional.com/black15).

For additional product support, visit [altoprofessional.com/support](http://altoprofessional.com/support).

## Important Safety Precautions

**Please note:** Alto Professional and inMusic are not responsible for the use of its products or the misuse of this information for any purpose. Alto Professional and inMusic are not responsible for the misuse of its products caused by avoiding compliance with inspection and maintenance procedures. Please also refer to the included safety and warranty manual for more information.

### Suspension/Rigging

- Only qualified persons using safe rigging standards should install this loudspeaker. The installer is responsible for proper selection and use of hardware to properly and safely install the speakers.
- Always install loudspeakers in accordance with applicable electrical and building codes.
- This loudspeaker should be suspended only from its suspension points (M10 x 1.5PH, 30mm length).
- Do **not** suspend multiple loudspeakers in a vertical array.
- Make sure your cables are out of the way of performers, production crew, and audience so they will not trip over them, pulling the loudspeaker off the stand or pole.

### Stand-Mounting

- Always install loudspeakers in accordance with applicable electrical and building codes.
- Install the loudspeaker according to its maximum weight. Check the specifications of your stand or pole to ensure it can support the loudspeaker's weight. Also, observe all safety precautions specified by the manufacturer.
- Do **not** mount multiple loudspeakers on the same stand or pole.
- Always verify that the stand or pole is on a flat, level, and stable surface. Also, fully extend the legs of tripod-style stands, and ensure its legs do not present a trip hazard.
- Inspect the stand (or pole and associated hardware) before each use and do not use equipment with worn, damaged, or missing parts.
- Always be cautious in windy, outdoor conditions. You may need to place additional weight (e.g., sandbags) on stand's base to improve stability. Do not attach banners or similar items to any part of a loudspeaker system. Such attachments could act as a sail and topple the system.
- Unless you are confident that you can handle the loudspeaker's weight, ask another person to help you lift it onto the stand or pole.
- Make sure your cables are out of the way of performers, production crew, and audience so they will not trip over them, pulling the loudspeaker off the stand or pole.

### Sound Level

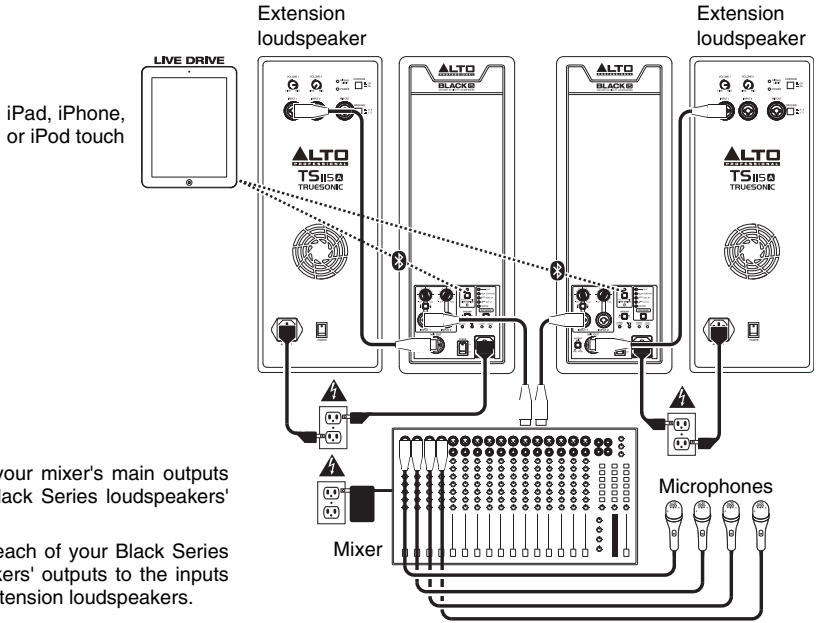
Permanent hearing loss may be caused by exposure to extremely high noise levels. The U.S. Occupational Safety and Health Administration (OSHA) has specified permissible exposures to certain noise levels. According to OSHA, exposure to high sound pressure levels (SPL) in excess of these limits may result in hearing loss. When using equipment capable of generating high SPL, use hearing protection while such equipment is under operation.

Hours per day	SPL (dB)	Example
8	90	Small gig
6	92	Train
4	95	Subway train
3	97	High level desktop monitors
2	100	Classical music concert
1.5	102	Riveting machine
1	105	Machine factory
.50	110	Airport
.25 or less	115	Rock concert

## Quick Start / Connection Diagram

**Note:** Only items listed in this manual's Box Contents section are included with this product. iPad, extra loudspeakers and subwoofers, microphones, mixer, and cables are sold separately. Live Drive app is available on the App Store.

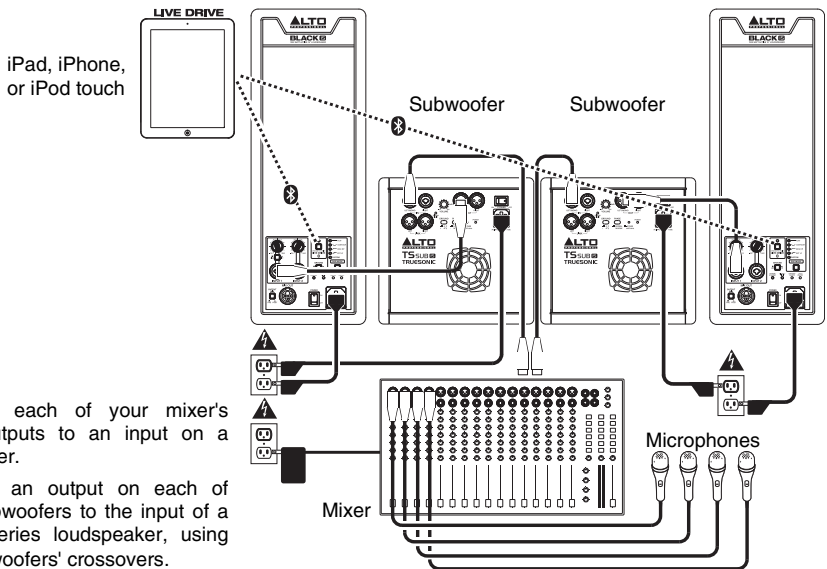
### Example A: 4 loudspeakers (2 Black Series, 2 extension)



Connect your mixer's main outputs to your Black Series loudspeakers' inputs.

Connect each of your Black Series loudspeakers' outputs to the inputs of your extension loudspeakers.

### Example B: 2 loudspeakers, 2 subwoofers



Connect each of your mixer's main outputs to an input on a subwoofer.

Connect an output on each of your subwoofers to the input of a Black Series loudspeaker, using the subwoofers' crossovers.

## Using the Live Drive App

Black Series loudspeakers also come equipped with wireless technology and the unmatched capabilities of the Alto Professional Live Drive wireless speaker app. You'll be able to level-match, adjust EQ and compression, time-align and more. The Black Series puts active live sound control at your fingertips. Using the app on your iPad, iPhone, or iPod touch, you can adapt the speakers to new venues or tweak settings remotely from any corner of the room. Black Series loudspeakers offer a powerful new experience, not only for your audiences, but also for you—you get streamlined, sound-shaping capabilities at your fingertips.

### Downloading the App

To download the App, just search for **Live Drive** in the App Store and download the Alto Professional Live Drive app.

### Bluetooth Pairing

**About Range:** Black Series loudspeakers use an advanced, extended-range Bluetooth antenna design, allowing for ranges far greater than traditional Bluetooth devices. The typical range is approximately 100 feet (30 meters) with a clear line of sight. However, the range may vary depending on your source device and the environment.

#### To maximize the range:

- Set your source device on a flat surface and make sure there are no obstacles between the loudspeaker and your device (e.g., walls, furniture, etc.).
- Turn off your source device's Wi-Fi.
- Turn off any unneeded 2.4 GHz devices in the nearby vicinity (e.g., other Bluetooth devices, baby monitors, Wi-Fi access points, microwave ovens, etc.).
- Try using a different Bluetooth source device (iPad or iPhone). Bluetooth signal strength varies between different devices.

#### To pair the speaker to your Bluetooth device:

1. Do this on one loudspeaker only: With the loudspeaker powered on, press and release its Pairing Button. Its Pairing LED will flash.
2. From your Bluetooth device's settings page, enable Bluetooth and select **Black Series** as the device. When paired successfully, the Pairing LED will light continuously. (This process may take up to 30 seconds.)

**Important:** If your device prompts you to enter a PIN code to pair it to the speaker, enter **0000** (four zeros).

3. Once your device is paired to the speaker, the speaker will remember the device even after power-cycling it. If the device does not reconnect automatically, go to your device's Bluetooth settings page and select **Connect** to reestablish the connection.

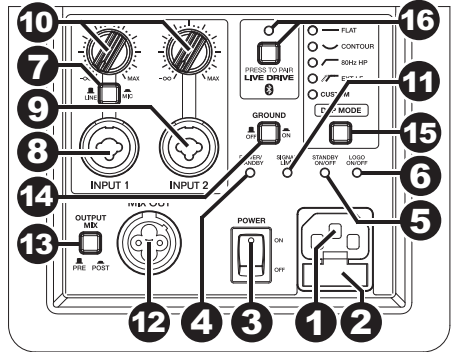
**To erase all previous pairing and linking settings,** press and hold the Pairing Button for 10 seconds. The LED will also flash to confirm the pairing records are erased. Now, you can pair to a new device.

### Live Drive Operation

For more information about using Live Drive, visit [altoprofessional.com/livedrive](http://altoprofessional.com/livedrive).

## Features

### Rear Panel



- Power Input:** Use the included IEC power cable to connect this input to a power source.
- Fuse:** If the unit's fuse is broken, lift this tab to replace the fuse. Replace it with a fuse with an appropriate rating (printed under the unit's power cable input). Using a fuse with an incorrect rating can damage the unit and/or fuse.
- Power Switch:** Use this switch to power the loudspeaker on or off.
- Power/Standby LED:** This LED illuminates when the loudspeaker is powered on.
- Standby On/Off Switch:** By default, this loudspeaker has its Standby Mode enabled: when no incoming audio signal is detected for approximately 15 minutes, the loudspeaker will enter a low-power state. The loudspeaker will exit Standby Mode within 0.5 seconds of detecting an incoming audio signal. Change this recessed switch's setting to the **Off** position to disable this feature.
- Logo On/Off Switch:** Press this to turn the light in the Alto Professional logo on or off.
- Line/Mic Switch:** Engage (depress) this switch if your Input 1 audio source is a microphone. Disengage (raise) this switch if your Input 1 audio source is line-level.
- Input 1:** Use a standard XLR or 1/4" (6.35 mm) cable to connect your audio source to this input. This input accepts both line-level and microphone-level sources. Set the Line/Mic Switch to the appropriate setting.
- Input 2:** Use a standard XLR or 1/4" (6.35 mm) cable to connect your audio source to this input. This input accepts line-level sources only.
- Input Volume Knob:** Use this knob to set the level of the audio going into its corresponding input below.
- Signal/Limit LED:** This LED illuminates **green** when an incoming audio signal is detected. It illuminates **red** when the audio signal level is too high and is being dynamically reduced to protect the loudspeaker from damage or distortion. If this LED is continually illuminated red, or if the audio output sounds excessively distorted, then reduce the volume of the connected audio source, or reduce the setting of the Input Volume Knob.
- Mix Out:** Use a standard XLR cable to connect this balanced output to the input of a second Black Series loudspeaker. Audio is sent from this output at 0 dB, depending on the setting of the Output Mix Switch.
- Output Mix Switch:** In the "out" (raised) position, the Mix Out is the sum of Input 1 and Input 2, pre-volume (i.e., the Input Volume Knobs do not affect the audio signal level of the Mix Out). In the "in" (depressed) position, the Mix Out is the sum of Input 1 and Input 2 but adjustable with the Input Volume Knobs.
- Ground Switch:** Engage (depress) this switch to reduce hum or noise.
- DSP Mode Button:** Press this button to set the loudspeaker's internal DSP to any of the following settings:
  - **Flat:** No change to the audio.
  - **Contour:** Boosted bass and treble with a gradual cut of mid-range frequencies—a useful setting for most contemporary music.
  - **80Hz HP:** Applies a high-pass filter. This is useful when using the Black 15 as a crossover with a subwoofer that does not have a high-pass output. This setting is also useful for cutting all bass frequencies (e.g., for in speech-only applications, or when used as a delay or fill loudspeaker where the extra bass frequencies are not needed).
  - **Ext LF:** Extends the loudspeaker's low-frequency response, providing increased output of bass frequencies.
  - **Custom:** Applies your custom DSP mode, set in the Live Drive app.
- Pairing Button:** Press and release this button to pair the loudspeaker to your iPad or iPhone. The Pairing LED will illuminate when it is paired. See the **Bluetooth Pairing** section for instructions.

## Guía del usuario (Español)

### Introducción

La serie Black (Negra) de Alto Professional es una línea completa de sistema de altavoces de élite, diseñado cada uno según normas exigentes con componentes de máxima calidad adaptados especialmente, capacidad inalámbrica y una inmensa potencia incorporada. Los altavoces serie Black han sido diseñados pensando en una meta: satisfacer los oídos de su audiencia con la más gratificante e inmersiva experiencia sonora que jamás han disfrutado. Cada altavoz de la serie Black ha sido fabricado artesanalmente para que brinde un sonido exquisitamente afinado en una variedad virtualmente ilimitada de aplicaciones —desde equipos de viajero hasta instalaciones permanentes y todo lo que está entremedio. Y con 2400 vatios de potencia pico, cada uno viene equipado para emocionar.

### Características principales

- Potencia pico clase D de 2400 vatios (1200 vatios continuos)
- Conectividad inalámbrica para instalaciones remotas y control de modelación del sonido
- Funciona con la aplicación para altavoces inalámbricos Live Drive de Alto Professional para iPad y iPhone
- La aplicación permite adaptación de niveles, ajuste de ecualización, alineación de tiempos, compresión y más
- Campo de cobertura optimizado de 90° x 60°
- Controlado por DSP con crossover personalizado, afinación superior y protección térmica activa.
- Componentes diseñados específicamente, adaptados especialmente para brindar máxima eficiencia y potencia líder en la industria
- Guía de onda de HF diseñada con precisión, probada exhaustivamente para optimizar la cobertura de la audiencia
- Mezclador integrado con entradas combinadas de micrófono/línea y salida de mezclador XLR balanceada
- Transductor de baja frecuencia de 15 pulg. y driver de 1,75 pulg.
- Conmutador de contorno para un mayor control de ecualización
- Interruptor de levantamiento de tierra para desconectar la tierra de señal de la tierra del chasis
- Interruptor para apagar el LED del logotipo
- Diseño liviano y portátil con mangos cómodos moldeados en forma personalizada
- Gabinete de madera terciada dura de 18 mm para servicio pesado
- Acabado robusto, altamente durable y resistente a los rayones
- Úselo como altavoz de megafonía tradicional o como monitor de piso
- Patas de goma reforzadas con acero en la parte inferior y el costado
- Rejilla del altavoz de acero con recubierta pulvimetalúrgico de alta resistencia
- Posibilidad de montaje en soporte y columna con zócalo estándar de 35 mm
- Posibilidad de suspensión con 12 puntos de sujeción M10
- Diseño y afinado en EE.UU.

### Contenido de la caja

- Black 15
- Guía del usuario
- Cable de alimentación
- Manual sobre la seguridad y garantía

### Soporte

Para obtener la información más reciente acerca de este producto (requisitos de sistema, información de compatibilidad, etc.) y registrar el producto, visite [altoprofessional.com/black15](http://altoprofessional.com/black15).

Para soporte adicional del producto, visite [altoprofessional.com/support](http://altoprofessional.com/support).



## Precauciones importantes para la seguridad

**Para tener en cuenta:** Alto Professional e inMusic no son responsables del uso de sus productos o el mal uso de esta información para cualquier propósito. Alto Professional e inMusic no son responsables del mal uso de sus productos causados por la omisión del cumplimiento de los procedimientos de inspección y mantenimiento. Para más información, consulte también el manual de seguridad y garantía incluido.

### Suspensión/Elementos de sujeción

- Este altavoz debe ser instalado únicamente por personas calificadas aplicando normas de suspensión segura. El instalador es responsable de la selección y uso correctos de elementos de sujeción para instalar los altavoces en forma apropiada y segura.
- Instale siempre los altavoces de acuerdo con los códigos de electricidad y construcción aplicables.
- Este altavoz debe colgarse únicamente por sus puntos de suspensión (M10 x 1.5PH, 30 mm de longitud).
- **No** suspenda varios altavoces en un arreglo vertical.
- Asegúrese de que los cables estén fuera del camino de los intérpretes, personal de producción y audiencia, de modo que no tropiecen con ellos y hagan caer el altavoz del soporte o columna.

### Montaje en soporte

- Instale siempre los altavoces de acuerdo con los códigos de electricidad y construcción aplicables.
- Instale el altavoz de acuerdo a su peso máximo. Compruebe las especificaciones de su soporte o columna para asegurarse de que pueda soportar el peso del altavoz. Asimismo, observe todas las precauciones para la seguridad especificadas por el fabricante.
- **No** monte varios altavoces en el mismo soporte o columna.
- Verifique siempre que el soporte o columna esté sobre una superficie plana, nivelada y estable. Asimismo, extienda totalmente las patas de los soportes tipo trípode y asegúrese de que las patas no representen un riesgo de tropiezo.
- Inspeccione el soporte (o columna y elementos de fijación asociados) antes de cada uso y no utilice equipos con piezas desgastadas, dañadas o faltantes.
- Tenga siempre cuidado en condiciones de viento a la intemperie. Es posible que deba colocar peso adicional (como bolsas de arena) en la base del soporte para mejorar la estabilidad. No fije pancartas o elementos similares a ninguna parte del sistema de altavoces. Tales agregados pueden funcionar como velas y hacer volcar el sistema.
- Salvo que tenga confianza de que puede manejar el peso del altavoz, solicite a otra persona que le ayude a levantarlo para colocarlo en el soporte o columna.
- Asegúrese de que los cables estén fuera del camino de los intérpretes, personal de producción y audiencia, de modo que no tropiecen con ellos y hagan caer el altavoz del soporte o columna.

### Nivel de sonido

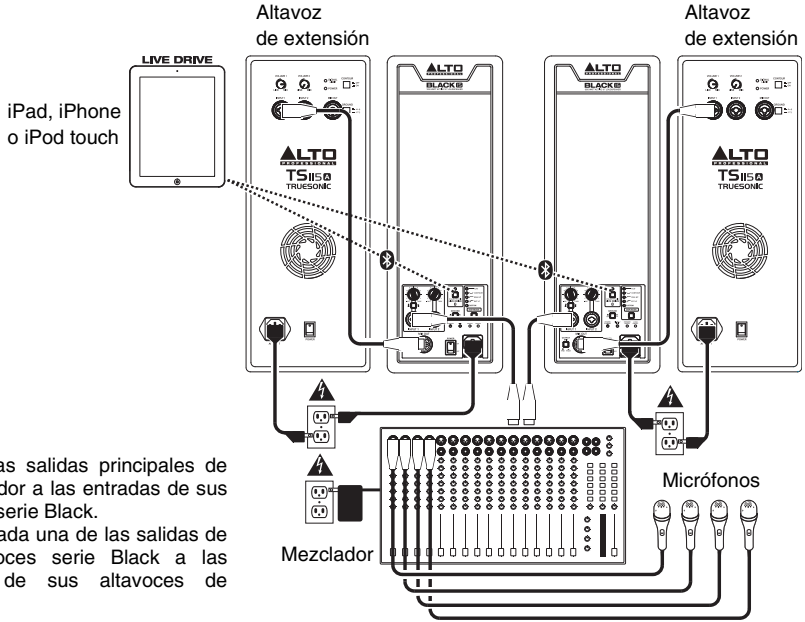
La exposición a niveles muy altos de ruido puede causar pérdidas auditivas permanentes. La Administración de Seguridad y Salud Ocupacional de EE.UU. (OSHA) ha especificado los niveles de exposición permisibles a ciertos niveles de ruido. Según la OSHA, la exposición a niveles de presión sonora (SPL) elevados que excedan estos límites puede causar pérdidas auditivas. Cuando utilice equipos capaces de generar SPL elevados, use protecciones auditivas mientras dichos equipos están en funcionamiento.

Horas diarias	SPL (dB)	Ejemplo
8	90	Música de bajo volumen
6	92	Tren
4	95	Tren subterráneo
3	97	Monitores de escritorio de alto nivel
2	100	Concierto de música clásica
1.5	102	Remachadora
1	105	Máquina fabril
.50	110	Aeropuerto
0.25 o menos	115	Concierto de rock

## Diagrama de inicio y conexión rápida

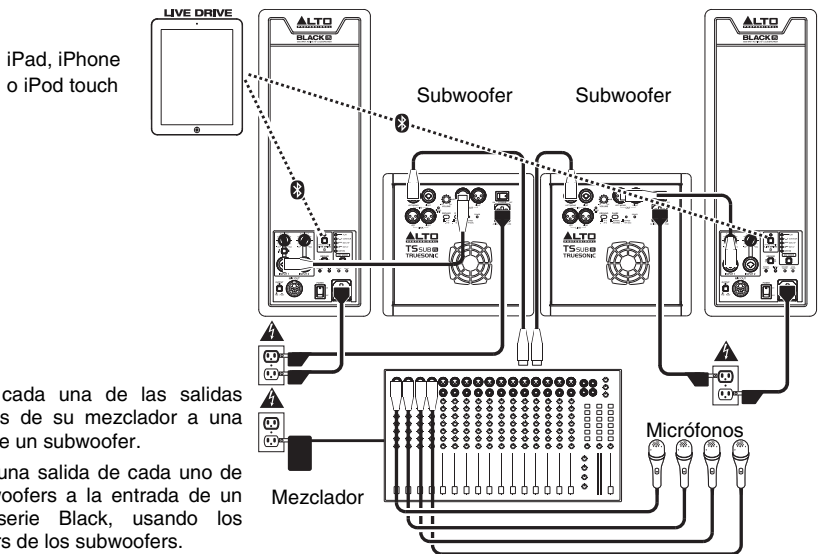
**Nota:** Solo se incluyen con este producto los elementos enumerados en la sección **Contenido de la caja** de este manual. El iPad, los altavoces y subwoofers extra, micrófonos, mezclador y cables se venden por separado. La aplicación Live Drive está disponible en App Store.

### Ejemplo A: 4 altavoces (2 serie Black, 2 de extensión)



Conecte las salidas principales de su mezclador a las entradas de sus altavoces serie Black.  
Conecte cada una de las salidas de sus altavoces serie Black a las entradas de sus altavoces de extensión.

### Ejemplo B: 2 altavoces, 2 subwoofers



Conecte cada una de las salidas principales de su mezclador a una entrada de un subwoofer.  
Conecte una salida de cada uno de sus subwoofers a la entrada de un altavoz serie Black, usando los crossovers de los subwoofers.

## Cómo usar la aplicación Live Drive

Los altavoces serie Black vienen equipados también con tecnología inalámbrica y las inigualables capacidades de la aplicación para altavoces inalámbricos Live Drive de Alto Professional. Puede adaptar niveles, ajustar la ecualización y compresión, alinear el tiempo y más. La serie Black pone el control de sonido activo en vivo al alcance de sus manos. Usando la aplicación en su iPad o iPhone, puede adaptar los altavoces a nuevos lugares o pellizcar los ajustes en forma remota desde cualquier rincón de la sala. Los altavoces serie Black ofrecen una poderosa experiencia nueva, no solo para sus audiencias sino también para usted mismo —obtiene capacidades ágiles de conformación de sonido al alcance de su mano.

## Cómo descargar la aplicación

Para descargar la aplicación, busque simplemente **Live Drive** en la App Store y descargue la aplicación Live Drive de Alto Professional.

## Apareamiento de Bluetooth

**Acerca del alcance:** Los altavoces serie Black utilizan un diseño de antena Bluetooth avanzado, de alcance extendido, que permite lograr alcances mayores que los de los dispositivos Bluetooth tradicionales. El alcance típico es de aproximadamente 30 metros (100 pies) con línea de visión despejada. No obstante, el alcance puede variar dependiendo de su dispositivo fuente y el ambiente.

### Para maximizar el alcance:

- Coloque su dispositivo fuente en una superficie plana y asegúrese de que no haya obstáculos entre el altavoz y su dispositivo (como paredes, muebles, etc.).
- Apague el Wi-Fi de su dispositivo fuente.
- Apague todos los dispositivos de 2.4 GHz innecesarios que haya en las cercanías (como otros dispositivos Bluetooth, monitores de bebés, puntos de acceso al Wi-Fi, hornos de microondas, etc.).
- Pruebe usando un dispositivo fuente Bluetooth diferente (iPad o iPhone). La intensidad de la señal del Bluetooth varía entre los distintos dispositivos.

### Para aparear el altavoz con su dispositivo Bluetooth:

1. Haga esto sólo en un altavoz: Con el altavoz encendido, pulse y suelte su botón de apareamiento. Destellará el LED de apareamiento y oírás una secuencia de tonos procedente del altavoz.
2. Desde la página de configuración de su dispositivo Bluetooth, habilite Bluetooth y seleccione **Black Series** como dispositivo. Cuando el apareamiento sea exitoso, oírás un "tono de confirmación" procedente del altavoz y el LED Pairing (Apareamiento) se encenderá continuamente. (Este proceso puede demorar hasta 30 segundos).

**Importante:** Si su dispositivo le solicita que ingrese un código PIN para aparearlo con el altavoz, ingrese **0000** (cuatro ceros).

3. Una vez que su dispositivo está apareado al altavoz, éste recuerda el dispositivo aunque se apague y vuelva a encender. Para reconectarlo, vaya a la página de configuración de su dispositivo Bluetooth y seleccione **Connect** (Conectar) para restablecer la conexión.

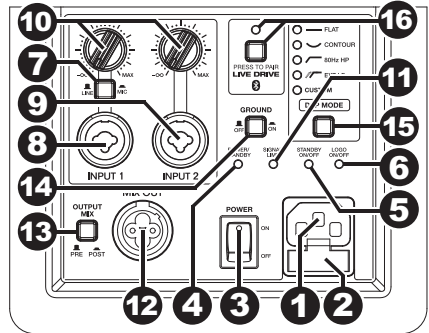
**Para borrar todos los ajustes previos de apareamiento y enlace,** mantenga pulsado el botón Pairing 10 segundos. Oírás un tono largo para confirmar que se borrarán los ajustes de apareamiento. También se apaga el LED. Ahora, puede aparearlo a un nuevo dispositivo.

## Operación de Live Drive

Para más información acerca del uso de Live Drive, visite [altoprofessional.com/livedrive](http://altoprofessional.com/livedrive).

## Características

### Panel trasero



- Entrada de alimentación:** Use el cable de alimentación IEC incluido para conectar esta entrada a un suministro eléctrico.
- Fusible:** Si el fusible de la unidad está roto, levante esta lengüeta para reemplazar el fusible. Reemplácelo por un fusible con especificación apropiada (impresa debajo de la entrada del cable de alimentación de la unidad). Si utiliza un fusible de especificación incorrecta, puede dañarse la unidad y/o el fusible.
- Interruptor de encendido:** Use este interruptor para encender y apagar el altavoz.
- LED de encendido/modo de espera:** Este LED se ilumina cuando el altavoz está encendido.
- Interruptor de encendido/apagado en modo de espera:** Por defecto, este subwoofer tiene habilitado su modo Standby (Espera): cuando no se detecta ninguna señal de audio entrante durante aproximadamente 15 minutos, el subwoofer entra a un estado de baja potencia. El subwoofer sale del modo de espera dentro de los 0.5 segundos de la detección de una señal de audio entrante. Cambie la posición de este interruptor embutido a Off para inhibir esta característica.
- Interruptor de encendido/apagado del logotipo:** Púlselo para encender y apagar el logotipo de Alto Professional.
- Interruptor de línea/micrófono:** Acople (baje) este interruptor si la fuente de audio de su entrada 1 es un micrófono. Desacople (suba) este interruptor si la fuente de entrada de su entrada 1 es de nivel de línea.
- Entrada 1:** Use un cable de XLR o de 1/4 pulg. (6.35 mm) estándar para conectar su fuente de audio a esta entrada. Esta entrada acepta fuentes de nivel de línea y de nivel de micrófono. Coloque el interruptor Line/Mic (Línea/Micrófono) en la posición apropiada.
- Entrada 2:** Use un cable de XLR o de 1/4 pulg. (6.35 mm) estándar para conectar su fuente de audio a esta entrada. Esta entrada acepta únicamente fuentes de nivel de línea.
- Perilla de volumen de entrada:** Use esta perilla para ajustar el nivel del audio que ingresa en la entrada correspondiente de abajo.
- LED de señal/límite:** Este LED se enciende en **verde** cuando se detecta una señal de audio entrante. Se enciende en **rojo** cuando el nivel de la señal de audio es demasiado alto y se está reduciendo dinámicamente para proteger el sistema del altavoz contra daños o distorsión. Si este LED se enciende continuamente en rojo o si la salida de audio suena excesivamente distorsionada, reduzca el volumen de la fuente de audio conectada o con el ajuste de la perilla de volumen de entrada.
- Salida para mezclador:** Use un cable XLR estándar para conectar esta salida balanceada a la entrada de un segundo altavoz serie Black. El audio se envía desde esta salida a 0 dB, dependiendo de la configuración del interruptor de mezcla de salida.
- Interruptor de mezcla de salida:** Desacople (suba) este interruptor si desea que el audio (Entrada 1 y Entrada 2) enviado a la salida para mezclador no pase por las perillas de volumen de entrada. Acople (baje) este interruptor si desea enviar audio (Entrada 1 y Entrada 2) desde las perillas de volumen de entrada a Mix Out (Salida para mezclador).
- Interruptor de tierra:** Acople (baje) este interruptor para reducir el zumbido o ruido.
- Botón de modo DSP:** Pulse este botón para configurar el DSP interno del altavoz a cualquiera de los ajustes siguientes:
  - **Flat** (Plano): Sin cambio al audio.
  - **Contour** (Contorno): Graves y agudos reforzados con corte gradual de las frecuencias medias —un ajuste óptimo para la mayor parte de la música contemporánea.
  - **80Hz HP** (Pasabajos de 80 Hz): Aplica un filtro pasaaltos.
  - **Ext LF** (Baja frecuencia extendida): Extiende la respuesta en frecuencias bajas del altavoz, proporcionando más frecuencias bajas resonantes.
  - **Custom** (Personalización): Aplica el modo personalizado del DSP, configurado en la aplicación Live Drive.
- Botón de apareamiento:** Pulse y suelte este botón para aparearse el altavoz a su iPad o iPhone. El LED Pairing se enciende cuando está apareado. Consulte las instrucciones en la sección **Apareamiento de Bluetooth**.

## Guide d'utilisation (Français)

### Présentation

La série de haut-parleur Black de Alto Professionnel est une gamme complète de systèmes de haut-parleurs d'élite, chacun conçu selon des normes rigoureuses, avec des composants de qualité spécialement conçus et optimisés pour une efficacité maximale, des fonctionnalités sans fil et une immense puissance intégrée. Les haut-parleurs Black ont été conçus avec un seul objectif en tête : satisfaire les oreilles de votre public avec une expérience sonore des plus gratifiante et enveloppante jamais vécue. Chaque haut-parleur Black a été conçu pour projeter un son finement réglé dans une variété quasi illimitée d'applications — des plates-formes de tournées aux installations permanentes et tout ce qui se trouve entre les deux. Et avec 2400 watts de puissance de crête, chacun d'eux est équipé pour faire vibrer.

### Caractéristiques principales

- 2400 watts de puissance de crête de classe D (1200 watts de puissance en continu)
- Connectivité sans fil pour la commande à distance et le façonnage du son
- Fonctionne avec l'application Live Drive de Alto Professional pour iPad et iPhone qui offre un contrôle sans fil des haut-parleurs
- L'application offre un contrôle sans fil pour les niveaux dynamiques, l'égalisation, l'alignement temporel, la compression et plus encore
- Champ de couverture optimisé de 90° x 60°
- Contrôlée par DSP avec crossover personnalisé, réglage supérieur et protection thermique active
- Des composants spécialement conçus et optimisés pour une efficacité maximale et une puissance inégalée
- Guide d'ondes HF de précision, testé pour assurer un large champ de couverture optimisé
- Console de mixage intégrée avec deux entrées combo micro/ligne, des commandes de volume et une sortie XLR symétrique
- Transducteur de basses fréquences de 15 po et de hautes fréquences de 1,75 po
- Sélecteur de courbes pour une égalisation accrue
- Interrupteur de fuite à la terre pour débrancher la masse du signal de la masse du châssis
- Interrupteur pour éteindre la DEL du logo
- Design léger et portable avec poignées confortables moulées sur mesure
- Enceinte en contreplaqué de 18 mm robuste
- Revêtement très résistant anti-rayures
- S'utilise comme enceinte de sonorisation classique ou comme enceinte de retour de scène
- Pieds en caoutchouc renforcé d'acier sur la base et le côté
- Grille en acier robuste avec revêtement en poudre
- Embase de 35 mm pour montage sur support ou sur pied
- 12 points de fixation M10 pour montage sur câble
- Conçu et accordé aux États-Unis

### Contenu de la boîte

- Black 15
- Câble d'alimentation
- Guide d'utilisation
- Consignes de sécurité et informations concernant la garantie

### Assistance technique

Pour les toutes dernières informations concernant la configuration système, la compatibilité et l'enregistrement du produit, veuillez visiter le site [altoprofessional.com/black15](http://altoprofessional.com/black15).

Pour de l'assistance supplémentaire, veuillez visiter le site [altoprofessional.com/support](http://altoprofessional.com/support).

## Consignes de sécurité importantes

**Veillez noter :** Alto Professionnel et inMusique ne sont pas responsables de la mauvaise utilisation de leurs produits ou de l'utilisation faite de ces informations. Alto professionnel et inMusique ne sont pas responsables de la mauvaise utilisation de leurs produits causés par le non-respect des procédures d'entretien et d'inspection. Veuillez également consulter le guide des consignes de sécurité et informations concernant la garantie inclus.

### Installation sur câble ou murale

- Seules les personnes qualifiées selon les normes de sécurité d'installation doivent procéder à l'installation ce haut-parleur. L'installateur est responsable de la sélection et l'utilisation de matériel approprié et sécuritaire pour installer les haut-parleurs.
- Toujours installer des haut-parleurs conformément aux codes de l'électricité et du bâtiment applicables en vigueur.
- Ce haut-parleur doit être suspendu qu'à partir de ses points de fixation (M10 x 1,5 PH, 30 mm de longueur).
- **Ne pas** suspendre à la verticale plusieurs haut-parleurs ensemble.
- Toujours s'assurer que les câbles sont tenus éloignés des artistes, de l'équipe de production et du public afin qu'ils ne puissent trébucher sur le câble et faire tomber le haut-parleur de son support ou de son pied.

### Montage sur support

- Toujours installer des haut-parleurs conformément aux codes de l'électricité et du bâtiment en vigueur.
- Installer le haut-parleur en tenant compte de son poids maximal. Vérifier les spécifications du support ou du pied pour faire en sorte qu'il peut supporter le poids du haut-parleur. Observer toutes les consignes de sécurité spécifiées par le fabricant.
- **Ne pas** monter plusieurs haut-parleurs sur le même support ou le même pied.
- Toujours vérifier que le support ou le pied est sur une surface plane, stable et au niveau. Déployer entièrement les pieds des supports de style trépied et vérifier qu'ils ne présentent pas un risque de trébuchement.
- Vérifier le support (ou pied et la quincaillerie) avant chaque utilisation et ne pas utiliser de l'équipement avec des pièces usées, endommagées ou manquantes.
- Faire preuve de prudence lorsqu'utilisé à l'extérieur dans des conditions venteuses. Il peut être nécessaire de placer un poids supplémentaire (p. ex., des sacs de sable) sur la base du support afin d'améliorer sa stabilité. Ne pas fixer de bannières ou autres objets similaires au système de haut-parleur. Ces objets pourraient prendre dans le vent et renverser le système.
- À moins d'être certain de pouvoir gérer le poids du haut-parleur, demander à une autre personne de vous aider afin de le placer sur le support ou le pied.
- Toujours s'assurer que les câbles sont tenus éloignés des artistes, de l'équipe de production et du public afin qu'ils ne puissent trébucher sur le câble et faire tomber le haut-parleur de son support.

### Niveau sonore

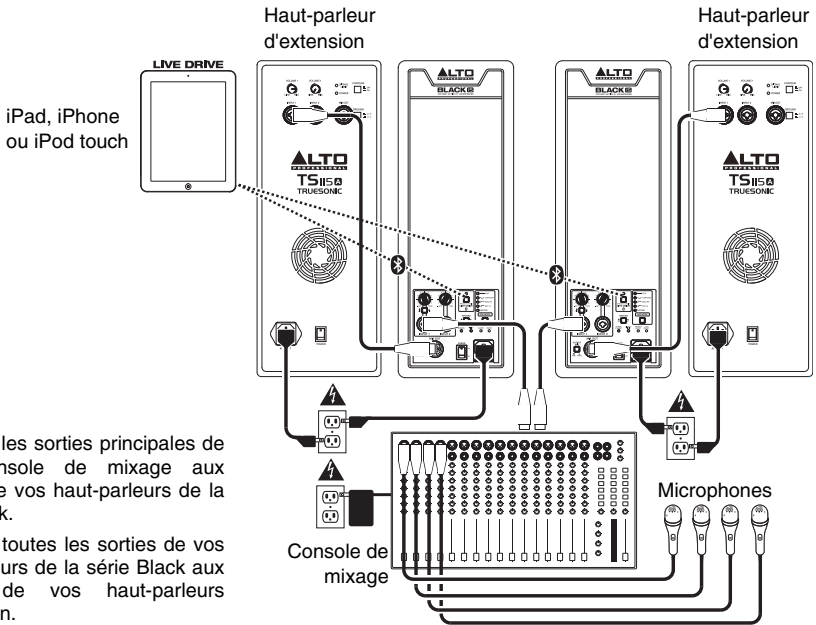
L'exposition aux niveaux extrêmement élevés de bruit peut causer une perte d'audition permanente. Le comité de santé et de sécurité au travail des États-Unis (OSHA) a établi des durées d'exposition acceptables pour certains niveaux de bruit. Selon la OSHA, une exposition à des niveaux de pression acoustique (NPA) au-dessus de ces limites peut avoir comme conséquence une perte d'audition. Lors de l'utilisation d'équipement capable de générer des niveaux de pression acoustique élevés, il faut prendre des mesures afin de protéger son ouïe lorsque cette unité est en fonction.

Heures par jour	NPA (dB)	Exemple
8	90	Petite salle de spectacle
6	92	Train
4	95	Rame de métro
3	97	Moniteurs de table à niveaux élevés
2	100	Concert de musique classique
1.5	102	Riveteuse
1	105	Usine de fabrication
.50	110	Aéroport
moins de .25	115	Concert rock

## Démarrage rapide/Schéma de connexion

**Remarque :** Seuls les éléments répertoriés dans la section **Contenu de la boîte** de ce guide sont inclus avec ce produit. iPad, haut-parleurs et caissons d'extrêmes graves supplémentaires, microphones, console de mixage et câbles sont vendus séparément. L'application Live Drive est offerte sur l'App Store.

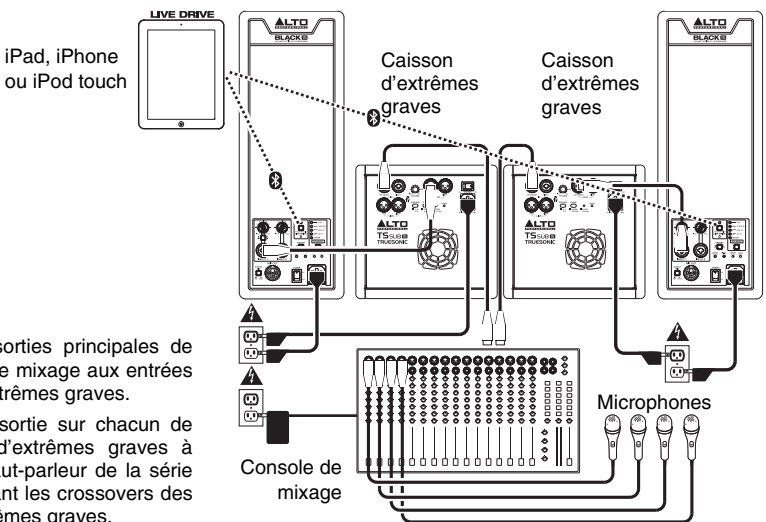
### Exemple A : 4 haut-parleurs (2 haut-parleurs de la série Black et 2 haut-parleurs d'extension)



Branchez les sorties principales de votre console de mixage aux entrées de vos haut-parleurs de la série Black.

Branchez toutes les sorties de vos haut-parleurs de la série Black aux entrées de vos haut-parleurs d'extension.

### Exemple B : 2 haut-parleurs et 2 caissons d'extrêmes graves



Branchez les sorties principales de votre console de mixage aux entrées du caisson d'extrêmes graves.

Branchez une sortie sur chacun de vos caissons d'extrêmes graves à l'entrée d'un haut-parleur de la série Black, en utilisant les crossovers des caissons d'extrêmes graves.

## Utilisation de l'application Live Drive

Les haut-parleurs de la série Black sont également équipés de la technologie sans fil et des capacités inégalées de l'application pour haut-parleur sans fil Live Dive de Alto Professional. Vous serez en mesure de contrôler les niveaux dynamiques, l'égalisation, l'alignement temporel, la compression et bien plus encore. La série Black vous offre le contrôle de l'audio actif en direct au bout des doigts. En utilisant l'application sur votre iPad ou votre iPhone, vous pouvez adapter les haut-parleurs pour de nouveaux lieux ou réglez les paramètres à distance depuis n'importe quel coin de la pièce. Les haut-parleurs de la série Black offrent une puissante nouvelle expérience, non seulement pour votre public, mais également pour vous, car vous bénéficiez de fonctions de façonnage du son simplifiées à portée de main.

### Téléchargement de l'application

Pour télécharger l'application, faites une recherche sur App Store pour **Live Drive**, puis téléchargez l'application Live Drive de Alto Professional.

### Jumelage Bluetooth

**La portée :** La série de haut-parleurs Black utilise une conception d'antenne évoluée de longue portée Bluetooth, permettant des portées beaucoup plus grandes que les appareils Bluetooth traditionnels. La portée du signal typique est d'environ 30 mètres (100 pieds) sans obstruction. Toutefois, la portée peut varier selon votre appareil source et l'environnement.

#### Pour maximiser la portée :

- Placez l'appareil source sur une surface plane et assurez-vous qu'il n'y a aucun obstacle entre le haut-parleur et votre appareil (p. ex., murs, meubles, etc.).
- Désactivez la fonction Wi-Fi de votre appareil source.
- Désactivez les appareils 2,4 GHz inutiles qui se trouvent à proximité (p. ex., autres appareils Bluetooth, moniteurs pour bébés, points d'accès Wi-Fi, micro-ondes, etc.).
- Essayez d'utiliser un autre appareil source Bluetooth (iPad ou iPhone). L'intensité du signal Bluetooth varie selon l'appareil.

#### Pour jumeler le haut-parleur à votre appareil Bluetooth :

1. Effectuez ceci sur un seul haut-parleur : Avec le haut-parleur sous tension, appuyez et relâchez sa touche de jumelage. Sa DEL de jumelage clignotera et vous entendrez une séquence sonore provenant du haut-parleur.
2. De la page des paramètres de votre appareil Bluetooth, activez la fonction Bluetooth et sélectionnez **Black Series** comme appareil. Lorsque le jumelage est réussi, vous entendrez une « tonalité de confirmation » du haut-parleur et la DEL de jumelage demeurera allumée. (Ce processus peut prendre jusqu'à 30 secondes.)

**Important :** Si votre appareil vous demande d'entrer un NIP pour le jumeler au haut-parleur, entrez « 0000 » (quatre zéros).

3. Une fois que votre appareil est jumelé au haut-parleur, ce dernier reconnaîtra l'appareil même après sa mise hors tension. Pour rétablir la connexion, vous devez accéder à la page des réglages Bluetooth de votre appareil et sélectionner « **Connexion** ».

**Pour supprimer tous les réglages de jumelage et de mise en parallèle,** maintenez la touche de jumelage enfoncée pendant 10 secondes. Vous entendrez une longue tonalité pour confirmer que les paramètres de jumelage ont été supprimés. La DEL devrait également s'éteindre. Vous pouvez maintenant jumeler un nouvel appareil.

### Fonctionnement de Live Drive

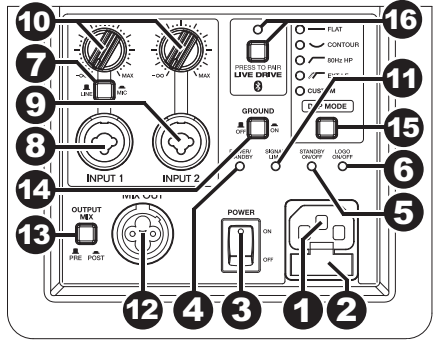
Pour plus d'informations sur l'utilisation de Live Drive, veuillez visiter [altoprofessional.com/livedrive](http://altoprofessional.com/livedrive).



## Caractéristiques

### Panneau arrière

- Entrée d'alimentation :** Branchez le câble d'alimentation CEI inclus à cette entrée et branchez l'autre extrémité à une source d'alimentation électrique.
- Fusible :** Si le fusible de l'appareil est endommagé, soulevez cette languette afin de remplacer le fusible. Remplacez-le par un fusible de calibre approprié (imprimé sous l'entrée d'alimentation de l'appareil). L'utilisation d'un fusible de calibre inapproprié pourrait endommager l'appareil et/ou le fusible.
- Interrupteur d'alimentation :** Utilisez cet interrupteur pour mettre le haut-parleur sous tension.
- DEL d'alimentation/de veille :** Cette DEL s'allume lorsque le haut-parleur est sous tension.
- Mode veille :** Par défaut, le mode veille ce caisson d'extrêmes graves est activé : Lorsqu'aucun signal audio entrant n'est détecté pendant environ 15 minutes, le caisson d'extrêmes graves passe en mode d'économie d'énergie. Le caisson d'extrêmes graves met fin au mode veille 0,5 seconde suivant la détection d'un signal audio entrant. Changez le réglage de cet interrupteur encastré sur la position Off pour désactiver cette fonctionnalité.
- Éclairage du logo :** Appuyez sur cette touche pour allumer ou éteindre l'éclairage du logo Alto Professionnel.
- Sélecteur MIC/LINE :** Enfoncez cette touche si la source audio de l'entrée Input 1 est un microphone. Relâchez cette touche si la source audio de l'entrée Input 1 est de niveau ligne.
- Input 1 :** Utilisez un câble XLR ou de ¼ po (6,35 mm) pour brancher une source audio à cette entrée. Cette entrée prend en charge des sources de niveau ligne et microphone. Mettre le sélecteur d'entrée sur le réglage approprié.
- Input 2 :** Utilisez un câble XLR ou de ¼ po (6,35 mm) pour brancher une source audio à cette entrée. Cette entrée prend en charge uniquement les sources de niveau ligne.
- Bouton du volume d'entrée :** Utilisez ce bouton pour définir le niveau de l'audio entrant dans l'entrée correspondante.
- DEL du signal/d'écèlement :** Cette DEL devient **verte** lorsqu'un signal audio entrant est détecté. Elle devient **rouge** lorsque le niveau du signal est trop élevé et est réduit dynamiquement afin de protéger les haut-parleurs contre les dommages ou de la distorsion. Si la DEL demeure rouge, ou si l'audio est extrêmement déformé, réduisez alors le volume de votre source audio ou le niveau du volume d'entrée du bouton Input Volume.
- Mix Out :** Utilisez un câble XLR pour brancher cette sortie symétrique à l'entrée d'un second haut-parleur de la série Black. Le signal audio transmis par cette sortie est de 0 dB, en fonction du sélecteur Mix Out.
- Sélecteur Mix Out :** Relâchez cette touche si vous souhaitez que le signal audio (Input 1 et Input 2) transmis à la sortie Mix Out contourne les boutons du volume d'entrée. Enfoncez cette touche si vous souhaitez envoyer le signal audio (Input 1 et Input 2) des boutons du volume d'entrée à la sortie Mix Out.
- Interrupteur de mise à la terre :** Enfoncez cette touche pour réduire le ronflement ou les bruits parasites.
- DSP Mode :** Appuyez sur cette touche pour régler le DSP interne du haut-parleur à l'un des paramètres suivants :
  - Flat :** Aucun changement apporté au signal audio.
  - Contour :** Augmentation des graves et des aigus avec une coupure progressive des moyennes fréquences — un réglage idéal pour la musique contemporaine.
  - 80Hz HP :** Ajoute un filtre passe-haut.
  - Ext LF :** Étend la réponse en basses fréquences du haut-parleur, fournissant plus de basses fréquences résonnantes.
  - Custom :** Ajoute votre mode DSP personnalisé, réglé dans l'application Live Drive.
- Touche de jumelage :** Appuyez et relâchez cette touche pour jumeler le haut-parleur à votre iPad ou votre iPhone. La DEL de jumelage s'allume lorsque le jumelage est réussi. Reportez-vous à la section **Jumelage Bluetooth** pour obtenir des instructions.



## Guida per l'uso (Italiano)

### Introduzione

La Black Series di Alto Professional è una linea completa di sistemi di altoparlanti di primissima qualità, ciascuno concepito secondo standard precisi con componenti di massima qualità e specifici, capacità wireless e un'enorme potenza incorporata. Gli altoparlanti Black Series sono stati concepiti con un obiettivo in mente: soddisfare le orecchie del vostro pubblico con l'esperienza sonora più gratificante e coinvolgente che abbiano mai avuto. Tutti gli altoparlanti Black Series sono stati creati per tuonare con suoni ottimizzati in una serie di applicazioni praticamente illimitata: dagli impianti da tour, alle installazioni permanenti, a tutte le vie intermedie. Grazie ai loro 2400 watt di potenza di picco, ciascuno di essi è attrezzato con quanto serve per emozionare.

### Caratteristiche principali

- Alimentazione di picco 2400 Watt Classe D (1200 Watt continua)
- Connettività wireless per la configurazione a distanza e un controllo in grado di modellare il suono
- Funziona con l'app per altoparlanti wireless Live Drive di Alto Professional per iPad e iPhone
- L'app consente di abbinare i livelli, regolare l'EQ e la compressione, effettuare l'allineamento in base al tempo e molto altro
- Campo di copertura ottimizzato 90° x 60°
- Controllo DSP con crossover personalizzato, sintonia di livello superiore e protezione termica attiva
- Componenti creati specificamente e abbinati allo scopo per il massimo dell'efficienza e una potenza leader nel settore
- Onda guida HF di precisione, ampiamente testata per garantire una copertura ottimizzata del pubblico
- Mixer incorporato con due ingressi combo Mic/Linea, comandi di regolazione del volume e uscita bilanciata XLR mix
- Trasduttore a bassa frequenza da 15", driver da 1.75"
- Interruttore Contour per un maggiore controllo dell'EQ
- Interruttore Ground Lift per scollegare la terra del segnale dalla terra del telaio
- Interruttore per spegnere il LED del logo
- Design leggero e portatile, portable design with comfortable, custom-molded handles
- Cassa da 18 mm in legno duro lamellare ventilata
- Robusta finitura durevole e antigraffio
- Use as traditional PA loudspeaker or as floor wedge monitor
- Piedini in gomma rinforzati in acciaio in basso e lateralmente
- Griglia dell'altoparlante in acciaio verniciata a polvere estremamente durevole
- Installabile su supporto e palo tramite una presa standard da 35 mm
- Installabile appeso tramite 12 punti di fissaggio M10
- Concepito e ottimizzato negli U.S.A.

### Contenuti della confezione

- Black 15
- Manuale per l'uso
- Cavo di alimentazione
- Manuale di sicurezza e garanzia

### Assistenza

Per le ultime informazioni in merito al prodotto (requisiti di sistema, informazioni sulla compatibilità, ecc.) e per la registrazione del prodotto stesso, recarsi alla pagina [altoprofessional.com/black15](http://altoprofessional.com/black15).

Per ulteriore assistenza, recarsi alla pagina [altoprofessional.com/support](http://altoprofessional.com/support).

## Importanti precauzioni di sicurezza

**Nota bene:** Alto Professional e inMusic declinano qualsiasi responsabilità per l'uso dei loro prodotti o per l'utilizzo errato delle presenti informazioni a qualsiasi scopo. Alto Professional e inMusic non sono responsabili per il cattivo utilizzo dei loro prodotti causato dalla mancata conformità con le procedure di ispezione e manutenzione. Fare riferimento al manuale di sicurezza e garanzia per maggiori informazioni.

### Sospensione/ancoraggio

- L'altoparlante deve essere installato unicamente da personale qualificato che segua standard di sospensione sicuri. L'installatore è responsabile della corretta scelta e utilizzo della minuteria per un'installazione adeguata e sicura degli altoparlanti.
- Installare sempre gli altoparlanti in conformità con i codici elettrici ed edilizi in vigore.
- L'altoparlante va sospeso unicamente tramite gli appositi punti di ancoraggio (M10 x 1.5PH, 30mm lunghezza).
- **Non** sospendere più altoparlanti in un impianto verticale.
- Assicurarsi che i cavi non intralcino gli artisti, lo staff di produzione e il pubblico, in modo che non vi sia il rischio che questi ci inciampino.

### Installazione su supporto

- A Installare sempre gli altoparlanti in conformità con i codici elettrici ed edilizi in vigore.
- Installare gli altoparlanti in base al loro peso massimo. Verificare le specifiche del palco per assicurarsi che sia in grado di sostenere il peso dell'altoparlante. Inoltre, rispettare tutte le indicazioni di sicurezza specificate dal produttore.
- **Non** montare più altoparlanti sullo stesso supporto o palo.
- Assicurarsi sempre che il supporto o il palo si trovi su una superficie piana, uniforme e stabile. Inoltre, estendere al massimo le gambe dei supporti a treppiede e assicurarsi che non rappresentino rischio di inciampo.
- Ispezionare il supporto (o il palo o la minuteria ad esso associata) prima di ciascun utilizzo e non servirsi dell'apparecchio con parti usurate, danneggiate o mancanti.
- Prestare sempre cautela in condizioni ventose all'aperto. Potrebbe essere necessario aggiungere ulteriore peso (ad es. sacchi di sabbia) sulla base del supporto per migliorarne la stabilità. Non fissare striscioni o articoli simili a qualsiasi parte di un sistema di altoparlanti. Questi potrebbero fare da vela e far rovesciare l'impianto.
- A meno di non essere sicuri di essere in grado di sostenere il peso dell'altoparlante, chiedere aiuto a un'altra persona per sollevarlo sul supporto o sul palo.
- Assicurarsi che i cavi non intralcino gli artisti, lo staff di produzione e il pubblico, in modo che non vi sia il rischio che questi ci inciampino, facendo cadere l'altoparlante dal supporto o dal palo.

### Livello dell'audio

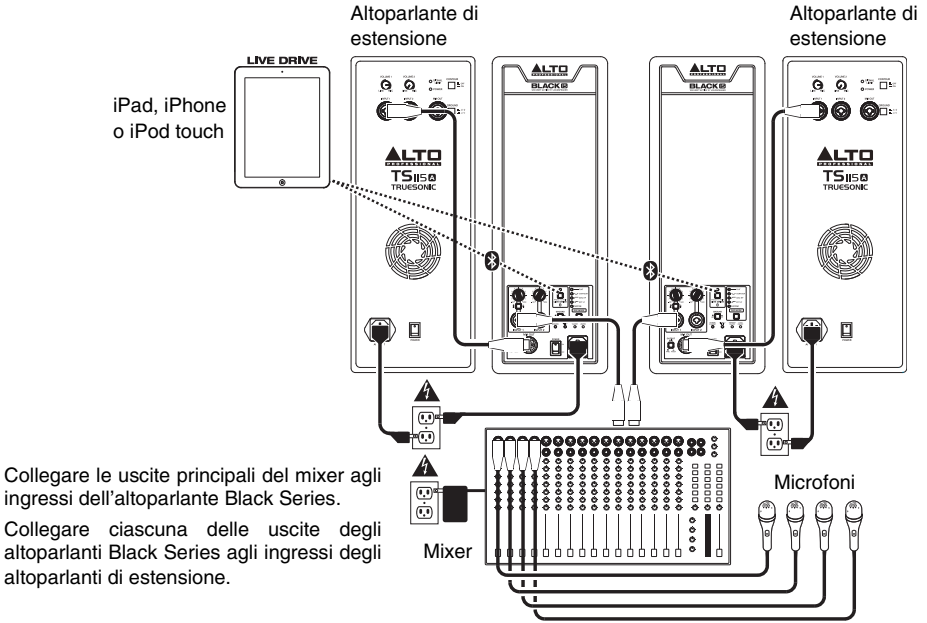
L'esposizione a livelli di rumore estremamente elevati può causare danni permanenti all'udito. L'OSHA americana (Occupational Safety and Health Administration) ha specificato le esposizioni ammissibili a determinati livelli di rumore. Secondo l'OSHA, l'esposizione a elevati livelli di pressione sonora (SPL) in eccesso rispetto ai limiti indicati può causare la perdita dell'udito. Quando si utilizzano attrezzature in grado di generare elevati SPL, servirsi di dispositivi di protezione dell'udito quando tali attrezzature sono in uso.

Ore al giorno	SPL (dB)	Esempio
8	90	Piccolo concerto
6	92	Treno
4	95	Metropolitana
3	97	Casse da tavolo ad alto volume
2	100	Concerto di musica classica
1.5	102	Macchina ribaditrice
1	105	Fabbrica di macchinari
0,50	110	Aeroporto
0,25 (15 minuti) o meno	115	Concerto Rock

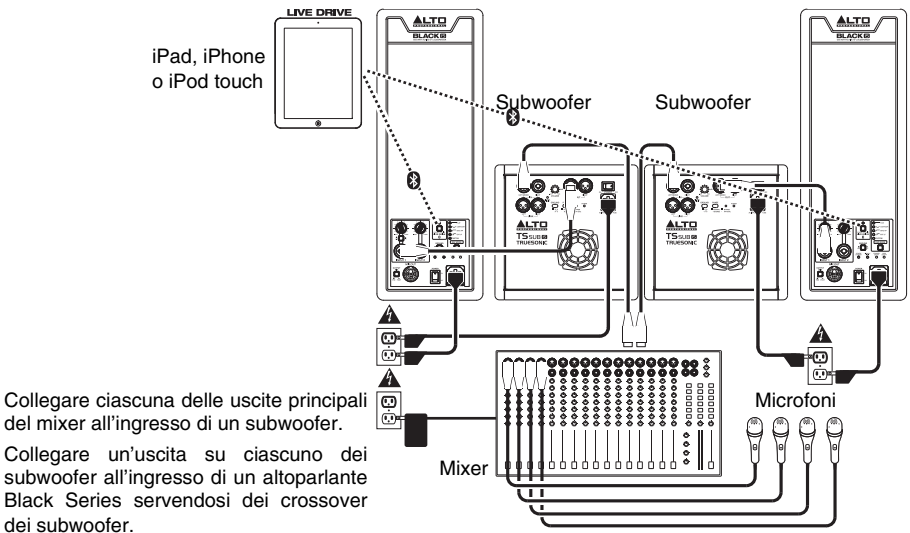
## Guida rapida / Schema dei collegamenti

**Nota bene:** solo le voci elencate nel paragrafo **Contenuti della confezione** di questo manuale sono inclusi con il prodotto. iPad, altoparlanti e subwoofer extra, microfoni, mixer e cavi sono venduti separatamente. L'app Live Drive è disponibile presso l'App Store.

### Esempio A: 4 altoparlanti (2 Black Series, 2 estensioni)



### Esempio B: 2 altoparlanti, 2 subwoofer



## Uso dell'App Live Drive

Gli altoparlanti Black Series sono inoltre dotati della tecnologia wireless e delle impareggiabili capacità dell'app Live Drive di Alto Professional per altoparlanti wireless. Sarà possibile abbinare i livelli, regolare l'EQ e la compressione, effettuare l'allineamento in base al tempo e molto altro. Con il Black Series il controllo attivo del suono è sempre a portata di mano. Utilizzando l'app sull'iPad o l'iPhone, si possono adattare gli altoparlanti a nuove sedi o affinare le impostazioni a distanza da qualsiasi angolo della stanza. Gli altoparlanti Black Series offrono una potente nuova esperienza, non solo per il vostro pubblico, ma anche per voi, che avete a portata di mano capacità ottimizzate di modulazione audio.

## Scaricare l'App

Per scaricare l'App, basta cercare **Live Drive** nell'App Store e scaricare l'app di Alto Professional.

## Collegamento Bluetooth

**Informazioni in merito alla portata:** gli altoparlanti Black Series sfruttano un'antenna Bluetooth ad ampia portata dal design avanzato, che garantisce portate molto maggiori rispetto ai dispositivi Bluetooth tradizionali. La portata tipica è di circa 30 metri con linea visiva libera. Ciò nonostante, la portata può variare a seconda del dispositivo sorgente utilizzato e delle condizioni dell'ambiente.

### Per massimizzare la portata:

- Collocare il dispositivo sorgente su una superficie uniforme e assicurarsi che non vi siano ostacoli tra l'altoparlante e il dispositivo stesso (ad es. pareti, mobili, ecc.).
- Spegnerne il Wi-Fi del dispositivo sorgente.
- Spegnerne qualsiasi dispositivo a 2.4 GHz non necessario presente nelle vicinanze (ad es. altri dispositivi Bluetooth, baby monitor, punti di accesso Wi-Fi, forni a microonde, ecc.).
- Provare a utilizzare un dispositivo Bluetooth sorgente diverso (iPad o iPhone). La forza del segnale Bluetooth varia a seconda del dispositivo.

### Per collegare l'altoparlante al dispositivo Bluetooth:

1. Procedere come segue su un solo altoparlante: con l'altoparlante acceso, premere e rilasciare il tasto di collegamento Pairing. Il LED di accoppiamento lampeggia e si sente una sequenza di toni provenire dall'altoparlante.
2. Nella pagina di configurazione del dispositivo Bluetooth, abilitare il Bluetooth e selezionare **Black Series** come dispositivo. Quando l'accoppiamento è riuscito, si sentirà un suono finale di "conferma" provenire dall'altoparlante e il LED di accoppiamento lampeggerà in maniera continua. (Questo procedimento può richiedere fino a 30 secondi.)

**Importante:** Se il dispositivo chiede di inserire un codice PIN per essere collegato all'altoparlante, digitare **0000** (quattro zeri).

3. Una volta che il dispositivo è collegato all'altoparlante, quest'ultimo ricorderà il dispositivo stesso anche dopo un ciclo di accensione e spegnimento. Se il dispositivo non si ricollega automaticamente, recarsi alla relativa pagina delle impostazioni Bluetooth e selezionare **Connect** (collega) per ristabilire il collegamento.

**Per cancellare tutti i collegamenti precedenti**, tenere premuto il tasto Pairing per 10 secondi. Il LED lampeggia per confermare che i dati memorizzati relativi agli accoppiamenti sono stati cancellati. È ora possibile effettuare il collegamento a un nuovo dispositivo.

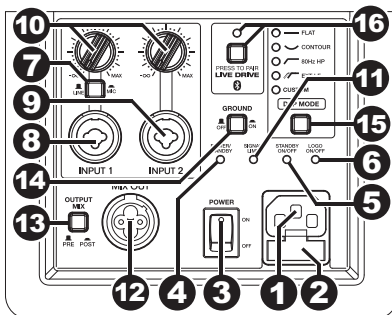
## Uso del Live Drive

Per maggiori informazioni sull'uso del Live Drive, recarsi alla pagina [altoprofessional.com/livedrive](http://altoprofessional.com/livedrive).

## Caratteristiche

### Pannello posteriore

- Ingresso di alimentazione:** servirsi del cavo di alimentazione IEC in dotazione per collegare questo ingresso a una fonte di alimentazione.
- Fusibile:** se il fusibile dell'apparecchio è rotto, sollevare questa linguetta per sostituirlo. Sostituirlo con un fusibile dal valore nominale adeguato (stampato sotto l'ingresso del cavo di alimentazione dell'apparecchio). L'utilizzo di un fusibile dal valore nominale errato può danneggiare l'apparecchio e/o il fusibile.
- Interruttore di alimentazione:** servirsi di questo interruttore per accendere o spegnere l'altoparlante.
- LED Power/Standby:** questo LED si illumina quando l'altoparlante è acceso.
- Interruttore Standby On/Off:** in via predefinita, questo subwoofer ha la modalità Standby abilitata: quando non vengono rilevati segnali audio in ingresso per circa 15 minuti, il subwoofer entra in una condizione di risparmio energetico. Il subwoofer esce dalla modalità di Standby entro 0,5 secondi dall'individuazione di un segnale audio in ingresso. Cambiare l'impostazione di questo interruttore spostandolo su Off per disattivare questa funzione.
- Interruttore Logo On/Off:** premere questo interruttore per accendere o spegnere la luce a livello del logo di Alto Professional.
- Interruttore Linea/Mic:** premere questo interruttore se la fonte audio dell'ingresso 1 è un microfono. Disattivare l'interruttore (alzarlo) se la fonte audio collegata all'ingresso 1 è a livello di linea.
- Ingresso 1:** servirsi di un cavo standard XLR o da 1/4" (6,35 mm) per collegare la fonte audio a questo ingresso. L'ingresso accetta fonti a livello di linea e microfoni. Impostare l'interruttore Linea/Mic sulla configurazione adeguata.
- Ingresso 2:** servirsi di un cavo standard XLR o da 1/4" (6,35 mm) per collegare la fonte audio a questo ingresso. L'ingresso accetta unicamente fonti a livello di linea.
- Manopola di ingresso Volume:** servirsi di questa manopola per impostare il livello dell'audio diretto agli ingressi corrispondenti.
- Led Signal/Limit (segnale/limite):** questo LED si illumina di **verde** quando un segnale audio in ingresso viene individuato. Si illumina di **rosso** quando il livello del segnale audio è troppo elevato e viene ridotto dinamicamente per proteggere l'altoparlante da danni o distorsione. Se questo LED è illuminato di rosso in maniera continua o se l'uscita audio suona eccessivamente distorta, ridurre il volume a livello della sorgente audio collegata o ridurre l'impostazione della manopola del volume di ingresso.
- Uscita Mix:** servirsi di un cavo XLR standard per collegare questa uscita bilanciata all'ingresso di un secondo altoparlante Black Series. L'audio è inviato da questa uscita a 0 dB, a seconda della posizione del Interruttore Output Mix.
- Interruttore Output Mix (uscita mix):** Disattivare l'interruttore se si desidera che l'audio (Ingresso 1 e Ingresso 2) inviato all'uscita Mix bypassi le manopole di ingresso volume. Premere questo interruttore se si desidera inviare audio (Ingresso 1 e Ingresso 2) delle manopole di ingresso volume all'uscita Mix.
- Interruttore di messa a terra:** premere questo interruttore per ridurre ronzio o rumore.
- Tasto modalità DSP:** premere questo tasto per impostare il DSP interno dell'altoparlante su una delle seguenti configurazioni:
  - **Flat:** nessuna modifica a livello dell'audio.
  - **Contour:** bassi e acuti aumentati con un taglio graduale delle frequenze medie: un'impostazione ottimale per la maggior parte della musica contemporanea.
  - **80Hz HP:** applica un filtro passa alto.
  - **Ext LF (basse frequenze est.):** estende le basse frequenze dell'altoparlante garantendo frequenze basse più risonanti.
  - **Custom (personalizzata):** permette di applicare la modalità DSP personalizzata, impostare l'app Live Drive.
- Tasto e LED di accoppiamento (Pairing):** premere e rilasciare questo tasto per collegare l'altoparlante all'iPad o all'iPhone. Il LED di accoppiamento (Pairing) si illumina quando il collegamento è stato effettuato. Per maggiori istruzioni, si veda il paragrafo **Collegamento Bluetooth**.



# Benutzerhandbuch (Deutsch)

## Einführung

Die Alto Professional Black Series ist eine komplette Serie von Lautsprechersystemen der Spitzenklasse, die designt wurde, um mit ihren hochwertigen, speziell abgestimmten Komponenten, Wireless-Funktionalität und überragender Leistungsfähigkeit den höchsten Standards zu entsprechen. Beim Design der Black Series Lautsprecher verfolgten wir nur ein einziges Ziel. Die Ohren unserer Kunden mit dem besten Klangerlebnis zu verwöhnen, das sie jemals hatten: Jeder Black Series Lautsprecher wurde angefertigt, um mit seinem fein abgestimmten Klang und unzähligen Einsatzmöglichkeiten zu beeindrucken - von Tour-Rigs zu Festinstallationen und allem dazwischen. Jeder dieser Lautsprecher kann überdies mit einer Spitzenleistung von 2400 Watt punkten.

## Wichtige Funktionen

- 2400 Watt Klasse D Spitzenleistung (1200 Watt Dauerleistung)
- Drahtlose Konnektivität für die Fernbedienung und Klangbearbeitung
- Funktioniert mit Alto Professionals Live Drive Funklautsprecher-App für iPad und iPhone
- App ermöglicht Pegelanpassung, EQ-Anpassung, Laufzeitkorrektur, Kompression und mehr
- Optimierter Abstrahlbereich von 90° x 60°
- DSP-gesteuert, eigener Crossover, erstklassiges Tuning und aktiver Wärmeschutz
- Speziell entwickelte und aufeinander abgestimmte Komponenten für maximale Effizienz und beste Leistung in der Branche
- Präzisionsgefertigte HF-Wellenleiter, eingehend auf optimale Beschallungsabdeckung getestet
- Integrierter Mixer mit zwei Mic/Line Combo-Eingängen, Lautstärkereglern und symmetrischem XLR Mix-Ausgang
- 15" Niederfrequenz-Wandler, 1,75" Treiber
- Contour-Schalter für erweiterte EQ-Kontrolle
- Ground Lift-Schalter zum Trennen der Signalmasse von der Gehäusemasse
- Schalter zum Ausschalten der Logo-LED
- Leichtes, tragbares Design mit praktischen, individuell geformten Griffen
- Robustes 18 mm Hartholzgehäuse
- Robustes, langlebiges und kratzfestes Finish
- Verwendung als herkömmliche PA-Lautsprecher oder Bodenmonitore
- Stahlverstärkte Gummifüße am Boden und auf der Seite
- Robuste, pulverbeschichtete Lautsprecherabdeckung aus Stahl
- Mit standardmäßiger 35mm-Buchse auf Ständer/Mast montierbar
- Hängend montierbar mit 12 M10 Fly-Points
- In den USA entworfen und abgestimmt

## Lieferumfang

- Black 15
- Bedienungsanleitung
- Netzkabel
- Sicherheitshinweise und Garantieinformationen

## Kundendienst

Für die neuesten Informationen zu diesem Produkt (Systemanforderungen, Informationen zur Kompatibilität etc.) und für die Produktregistrierung, besuchen Sie [altoprofessional.com/black15](http://altoprofessional.com/black15).

Für weitere Unterstützung besuchen Sie [altoprofessional.com/support](http://altoprofessional.com/support).

## Wichtige Sicherheitshinweise

**Bitte beachten Sie:** Alto Professional und inMusic sind weder für die Verwendung ihrer Produkte noch für den Missbrauch dieser Informationen für beliebige Zwecke verantwortlich. Alto Professional und inMusic sind nicht für die missbräuchliche Verwendung ihrer Produkte verantwortlich, die durch verabsäumte Inspektions- und Wartungsarbeiten verursacht wurde. Bitte beachten Sie auch das mitgelieferte Handbuch für Sicherheitshinweise und Garantieinformationen.

### Aufhängen/Montage

- Dieser Lautsprecher sollte ausschließlich von qualifizierten Personen mit sicheren Montagestandards montiert werden. Der Monteur ist für die richtige Auswahl und Verwendung der Werkzeuge verantwortlich, um die Lautsprecher ordnungsgemäß und sicher zu montieren.
- Installieren Sie Lautsprecher stets laut geltenden Elektro- und Bauvorschriften.
- Dieser Lautsprecher sollte nur an seinen Aufhängepunkten (M10 x 1.5PH, 30mm Länge) aufgehängt werden.
- Mehrere Lautsprecher vertikal aufzuhängen ist nicht empfehlenswert.
- Sorgen Sie dafür, dass die Kabel den Künstlern, der Produktions-Crew oder dem Publikum nicht im Weg sind, so dass niemand über Kabel stolpern und den Lautsprecher vom Ständer oder Masten reißen kann.

### Montage am Ständer

- Installieren Sie Lautsprecher stets laut geltenden Elektro- und Bauvorschriften.
- Installieren Sie den Lautsprecher in Übereinstimmung mit seinem maximalen Gewicht. Überprüfen Sie die Spezifikationen des Ständers oder des Masts, um sicherzustellen, dass er das Gewicht des Lautsprechers halten kann. Beachten Sie außerdem alle Sicherheitshinweise des Herstellers.
- Montieren Sie niemals mehrere Lautsprecher am selben Ständer oder Mast.
- Sorgen Sie stets dafür, dass die Ständer oder Maste auf einer flachen, ebenen und stabilen Fläche stehen. Ziehen Sie die Standbeine des stativähnlichen Ständers vollständig heraus und sorgen Sie dafür, dass die Beine keine Stolpergefahr darstellen.
- Überprüfen Sie den Ständer (oder Mast samt zugehörigen Komponenten) vor jedem Einsatz und verwenden Sie nie Geräte mit verschlissenen, beschädigten oder fehlenden Teilen.
- Lassen Sie bei windigen Verhältnissen im Freien besondere Vorsicht walten. Möglicherweise müssen Sie zusätzliche Gewichte (z.B. Sandsäcke) auf der Ständerbasis platzieren, um die Stabilität zu gewährleisten. Bringen Sie keine Transparente oder ähnliches an irgendwelchen Teilen eines Lautsprechersystems an. Solche Konstruktionen könnten wie ein Segel wirken und das System zu Fall bringen.
- Wenn Sie sich nicht sicher sind, ob Sie den Lautsprecher alleine heben können, bitten Sie eine andere Person beim Heben auf einen Ständer/Mast um Hilfe.
- Sorgen Sie dafür, dass die Kabel den Künstlern, der Produktions-Crew oder dem Publikum nicht im Weg sind, so dass niemand über Kabel stolpern kann und den Lautsprecher vom Ständer oder Mast reißen kann.

### Schallpegel

Eine Exposition gegenüber extrem hohen Lärmpegeln kann zu bleibenden Hörschäden führen. Die Occupational Safety and Health Administration (OSHA) der US-Regierung hat zulässige Expositionswerte für bestimmte Lärmpegel festgelegt. Laut OSHA können Belastungen durch Schalldruckpegel (SPL), die diese Grenzwerte überschreiten, zu Hörverlust führen. Tragen Sie beim Einsatz von Geräten, die einen hohen Schalldruck erzeugen können, stets einen Gehörschutz.

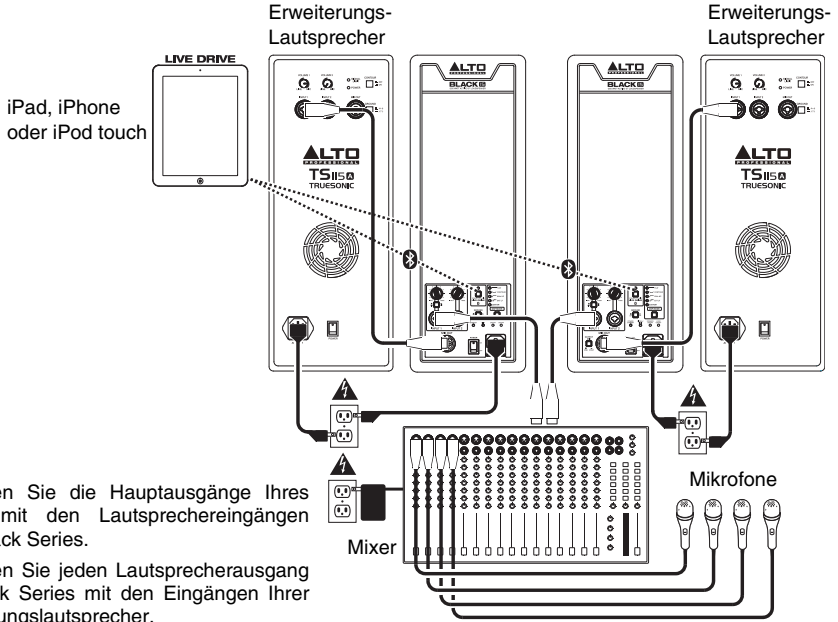
Stunden pro Tag	SPL (dB)	Beispiel
8	90	Kleines Konzert
6	92	Zug
4	95	U-Bahn
3	97	Leistungsstarke Desktop-Monitore
2	100	Konzert mit klassischer Musik
1,5	102	Nietmaschine
1	105	Maschinenfabrik
0,50	110	Flughafen
0,25 oder weniger	115	Rock-Konzert



## Schnellstart / Anschlussdiagramm

**Hinweis:** Dieses Produkt wird nur mit den Elementen geliefert, die in diesem Handbuch unter **Lieferumfang** angegeben sind. iPad, zusätzliche Lautsprecher und Subwoofer, Mikrofone, Mixer und Kabel sind separat erhältlich. Die Live Drive App ist im App Store verfügbar.

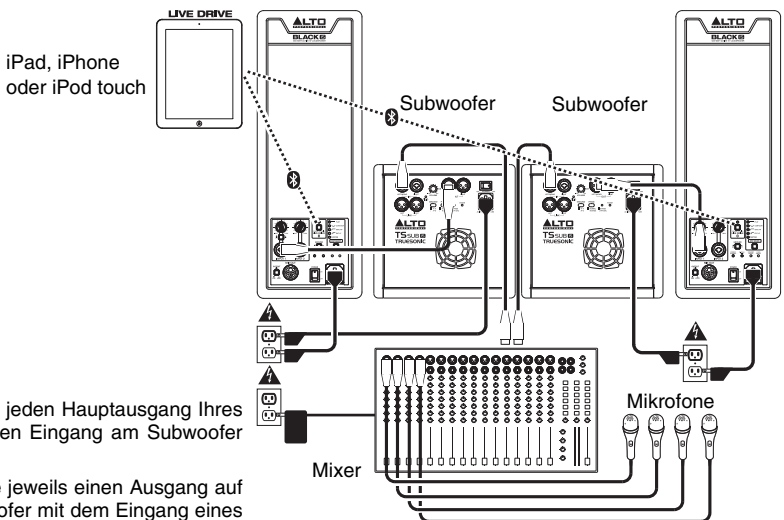
### Beispiel A: 4 Lautsprecher (2 Black Series, 2 Erweiterungslautsprecher)



Verbinden Sie die Hauptausgänge Ihres Mixers mit den Lautsprechereingängen Ihres Black Series.

Verbinden Sie jeden Lautsprecherausgang der Black Series mit den Eingängen Ihrer Erweiterungslautsprecher.

### Beispiel B: 2 Lautsprecher, 2 Subwoofer



Schließen Sie jeden Hauptausgang Ihres Mixers an einen Eingang am Subwoofer an.

Verbinden Sie jeweils einen Ausgang auf jedem Subwoofer mit dem Eingang eines Black Series Lautsprechers mithilfe des Subwoofer-Crossovers.

## Verwendung der Live Drive App

Black Series Lautsprecher verfügen zudem über die Wireless-Technologie und die unübertroffenen Möglichkeiten der Alto Professional Live Drive App für Funklautsprecher. So sind Sie in der Lage, Pegel, EQs, Kompression, Laufzeitkorrektur und vieles mehr einzustellen. Mit Black Series ist die Echtzeitkontrolle für Ihren Live-Sound stets zur Hand. Mit der App auf Ihrem iPad oder iPhone können Sie die Lautsprecher an neue Raumverhältnisse anpassen oder Einstellungen per Fernbedienung von jeder Ecke im Raum optimieren. Mit ihren effizienten Möglichkeiten für die Klanggestaltung bieten die Black Series Lautsprecher eine neue und beeindruckende Erfahrung - nicht nur für Ihr Publikum - sondern auch für Sie.

## Herunterladen der App

Um die App herunterzuladen, suchen Sie im App Store einfach nach **Live Drive** und laden Sie die Alto Professional Live Drive App herunter.

## Koppeln via Bluetooth

**Zur Reichweite:** Black Series Lautsprecher nutzen ein fortschrittliches Bluetooth-Antennendesign, das für eine weit höhere Reichweite als herkömmliche Bluetooth-Geräte sorgt. Die typische Reichweite beträgt etwa 100 Fuß (30 Meter) bei klarer Sichtverbindung. Allerdings kann die Reichweite je nach verwendetem Quellgerät und Umgebungsbedingungen variieren.

### Um die Reichweite zu maximieren:

- Stellen Sie Ihr Quellgerät auf eine ebene Fläche und stellen Sie sicher, dass sich keine Hindernisse zwischen Lautsprecher und Gerät befinden (z.B. Wände, Möbel etc.).
- Schalten Sie die Wi-Fi-Funktion Ihres Quellgeräts aus.
- Schalten Sie alle nicht benötigten 2.4-GHz-Geräte in der näheren Umgebung aus (z.B. andere Bluetooth-Geräte, Babyphones, Wi-Fi Zugangspunkte, Mikrowellenherde etc.).
- Versuchen Sie es mit einem anderen Bluetooth-Gerät als Quelle (iPad oder iPhone). Die Bluetooth-Signalstärke schwankt zwischen verschiedenen Geräten.

### So koppeln Sie den Lautsprecher mit Ihrem Bluetooth-Gerät:

1. Führen Sie folgenden Schritt nur auf einem einzigen Lautsprecher durch: Wenn der Lautsprecher eingeschaltet ist, drücken Sie die Koppel-Taste und lassen die Taste anschließend los. Die Koppel-LED blinkt und Sie werden einen Signalton aus dem Lautsprecher hören.
2. Im Einstellenmenü Ihres Bluetooth-Geräts aktivieren Sie Bluetooth und wählen **Black Series** als Gerät. Hat das Koppeln funktioniert, hören Sie einen letzten "Bestätigungston" aus dem Lautsprecher und die Koppel-LED leuchtet dauerhaft. (Dieser Vorgang kann bis zu 30 Sekunden dauern.)

**Wichtig:** Wenn Ihr Gerät Sie auffordert, einen PIN-Code einzugeben, um es an den Lautsprecher zu koppeln, geben Sie **0000** ein (vier Nullen).

3. Sobald Ihr Gerät mit dem Lautsprecher gekoppelt ist, wird sich der Lautsprecher auch nach erneutem Ein- und Ausschalten an das Gerät erinnern. Allerdings müssen Sie auf Ihrem Gerät zur Seite Bluetooth-Einstellungen navigieren und **Verbinden** auswählen, um die Verbindung wiederherzustellen.

**Um alle vorherigen Koppelungs- und Verbindungseinstellungen zu löschen,** halten Sie die Koppel-Taste 10 Sekunden lang gedrückt. Sie hören einen langen Signalton, um zu bestätigen, dass die Koppelungseinstellungen gelöscht wurden. Auch die LED erlischt. Jetzt können Sie eine Verbindung zu einem neuen Gerät herstellen.

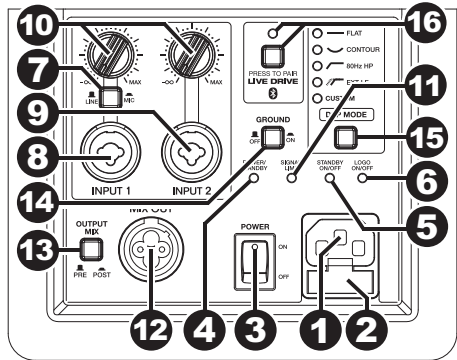
## Verwendung von Live Drive

Für weitere Informationen über die Verwendung von Live-Drive besuchen Sie [altoprofessional.com/livedrive](http://altoprofessional.com/livedrive).

## Funktionen

### Rückseite

- Netzeingang:** Verwenden Sie das mitgelieferte IEC-Netzkabel, um diese Buchse mit einer Stromquelle zu verbinden.
- Sicherung:** Wenn die Sicherung des Geräts beschädigt ist, heben Sie diese Lasche aus, um die Sicherung zu ersetzen. Ersetzen Sie sie mit einer Sicherung, die einen geeigneten Sicherungswert besitzt (siehe Aufdruck unter dem Netzkabeleingang des Geräts). Die Verwendung einer Sicherung mit falschem Sicherungswert kann das Gerät und/oder Sicherung beschädigen.
- Netzschalter:** Verwenden Sie diesen Schalter, um den Lautsprecher ein- oder auszuschalten.
- Power-/Standby-LED:** Diese LED leuchtet, wenn der Lautsprecher eingeschaltet ist.



- Standby Ein-/Ausschalter:** Der Standby-Modus ist bei diesem Subwoofer standardmäßig aktiv: Wenn etwa 15 Minuten lang kein eingehendes Audiosignal erkannt wird, wechselt der Subwoofer in den Energiesparmodus. Der Subwoofer wird den Standby-Modus 0,5 Sekunden nachdem ein eingehendes Audiosignal erkannt wurde beenden. Um diese Funktion zu deaktivieren, bringen Sie diesen versenkten Schalter in die Position Aus.
- Logo Ein-/Ausschalter:** Betätigen Sie diesen Schalter, um die Beleuchtung des Alto Professional-Logos ein- oder abzuschalten.
- Line/Mic-Schalter:** Aktivieren (drücken) Sie diesen Schalter, wenn Ihre Audioquelle auf Eingang 1 ein Mikrofon ist. Bringen Sie diesen Schalter in die erhobene Position, wenn Ihre Audioquelle auf Eingang 1 ein Line-Signal ist.
- Eingang 1:** Verwenden Sie ein handelsübliches XLR-Kabel bzw. 1/4"-Kabel (6,35 mm), um die Audioquelle mit diesem Eingang zu verbinden. Dieser Eingang akzeptiert sowohl Line-Level als auch Mikrofon-Quellen. Bringen Sie den Line-/Mic-Schalter auf die entsprechende Einstellung.
- Eingang 2:** Verwenden Sie ein handelsübliches XLR-Kabel bzw. 1/4"-Kabel (6,35 mm), um Ihre Audioquelle mit diesem Eingang zu verbinden. Dieser Eingang akzeptiert ausschließlich Line-Level-Quellen.
- Eingangspegelregler:** Verwenden Sie diesen Regler, um den Pegel des Audiosignals einzustellen, der an den entsprechenden unterhalb angeführten Eingang gesendet wird.
- Signal/Limit-LED:** Leuchtet **grün**, wenn ein eingehendes Audiosignal erkannt wird. Leuchtet **rot**, wenn das Audiosignal zu hoch ist und wird dynamisch reduziert, um den Lautsprecher vor Schäden oder Verzerrungen zu schützen. Wenn diese LED ständig rot leuchtet oder die Audioausgabe übermäßig verzerrt klingt, sollten Sie die Lautstärke der angeschlossenen Audioquelle oder die Einstellung des Eingangspegelreglers reduzieren.
- Mix-Ausgang:** Verwenden Sie ein handelsübliches XLR-Kabel, um diesen symmetrischen Ausgang mit dem Eingang eines zweiten Black Series Lautsprechers zu verbinden. Die Audiosignale werden von diesem Ausgang mit 0 dB gesendet, je nach Einstellung des Schalters Ausgangs-Mix.
- Schalter Ausgangs-Mix:** Bringen Sie diesen Schalter in die erhöhte Position, wenn Sie möchten, dass die an den Mix-Ausgang gesendeten Audiosignale (Eingang 1 und Eingang 2) die Eingangspegelregler umgehen. Aktivieren (drücken) Sie diesen Schalter, wenn Sie Audiosignale (Eingang 1 und Eingang 2) vom Eingangspegelregler zum Mix-Ausgang senden möchten.
- Erdungsschalter:** Aktivieren (drücken) Sie diesen Schalter, um Brummräusche oder Rauschen zu reduzieren.
- DSP-Modustaste:** Drücken Sie diese Taste, um den internen DSP des Lautsprechers in eine der folgenden Einstellungen zu bringen:
  - Flach:** Keine Änderung des Audiosignals.
  - Contour:** Verstärkt Bässe und Höhen mit einer graduellen Absenkung der mittleren Frequenzen - eine optimale Einstellung für viele moderne Musikgenres.
  - 80Hz HP:** Wendet einen Hochpass-Filter an.
  - Ext LF:** Erweitert die Basswiedergabe der Lautsprecher und sorgt so für dynamischere Bassfrequenzen.
  - Benutzerdefiniert:** Wendet Ihren eigenen DSP-Modus an, der in der Live Drive App eingestellt wird.
- Koppel-Taste:** Drücken Sie diese Taste und lassen sie anschließend los, um den Lautsprecher mit Ihrem iPad oder iPhone zu koppeln. Die Koppel-LED leuchtet auf, wenn die Geräte gekoppelt wurden. Siehe Abschnitt **Koppeln via Bluetooth** für weitere Informationen.

# Gebruikershandleiding (Nederlands)

## Inleiding

De Black Series van Alto Professional is een compleet gamma hoogwaardige luidsprekersystemen, ontworpen volgens strenge normen en met de beste, aangepaste onderdelen, draadloze connectiviteit en een krachtig ingebouwd vermogen. De luidsprekers van de Black Series zijn ontworpen met één doel voor ogen: de oren van uw luisteraars een zo bevredigend en meeslepend mogelijke geluidservaring te bezorgen. Elke luidspreker van de Black Series is gemaakt met een fijn afgesteld geluid in een vrijwel onbeperkt scala van toepassingen: van mobiele apparatuur tot permanente installaties en alles daartussen. Met een piekvermogen van 2400 watt is elke speaker een sensatie.

## Belangrijkste eigenschappen

- 2400 Watt Klasse Class D-piekvermogen (1200 Watt continu)
- Draadloze connectiviteit voor instelling op afstand en een ultieme controle over het geluid
- Werkt met de Live Drive app voor draadloze speakers voor iPad en iPhone van Alto Professional
- De app kan het geluidsniveau van nummers op elkaar afstemmen, EQ-instellingen, tijduitlijning, compressie aanpassen, enz.
- Geoptimaliseerd dekkingsveld van 90° x 60°.
- Bestuurd door een digitale signaalprocessor met aangepaste crossover, hoogwaardige afstelling en actieve thermische beveiliging
- De speciaal ontworpen onderdelen zijn op maat gemaakt voor de beoogde doeleinden, voor een maximale efficiëntie en een toonaangevend vermogen
- Met uiterste precisie ontworpen HF-transmissielijn, uitgebreid getest voor optimaal publiek gebruik
- Ingebouwd mengpaneel met twee mic/line combo-ingangen, volumeknoppen en een gebalanceerde XLR-uitgang voor de geluidsmix• laagfrequente woofer van 15", tweeter van 1,75"
- Contour-schakelaar voor een betere EQ-controle
- Ground Lift-schakelaar om de aarding van het signaal los te koppelen van de aarding van de behuizing
- Schakelaar om het LED-lampje van het logo uit te schakelen
- Lichtgewicht, draagbaar ontwerp met comfortabele, speciaal gegoten handgrepen
- Kast uit 18 mm dik multiplex hardhout voor zwaar gebruik
- Robuuste, uiterst duurzame en krasbestendige afwerking
- Te gebruiken als traditionele PA-luidspreker of als vloermonitor
- Met staal versterkte rubberen voetjes aan onderkant en zijkant
- Gepoedercoat stalen speakerrooster voor zwaar gebruik
- Te monteren op statief of stang met standaard aansluiting van 35 mm
- Op te hangen aan 12 M10-oophangpunten
- Ontworpen en afgestemd in de VS

## Inhoud van de doos

- Black 15
- Gebruikershandleiding
- Netsnoer
- Handleiding veiligheid en garantie

## Ondersteuning

Voor de laatste informatie over dit product (systeemvereisten, informatie over compatibiliteit enz.) en productregistratie, bezoek [altoprofessional.com/black15](http://altoprofessional.com/black15).

Voor aanvullende productondersteuning surf u naar [altoprofessional.com/support](http://altoprofessional.com/support).

## Belangrijke veiligheidsvoorschriften

**Opgelet:** Alto Professional en inMusic zijn niet verantwoordelijk voor het gebruik van hun producten of het misbruik van deze informatie voor enig doel. Alto Professional en inMusic zijn niet verantwoordelijk voor het misbruik van hun producten dat wordt veroorzaakt door niet-naleving van de inspectie- en onderhoudsprocedures. Raadpleeg voor meer informatie ook de bijgeleverde handleiding veiligheid en garantie.

### Ophangen

- Alleen bevoegde personen die veilige installatienormen hanteren mogen deze luidspreker installeren. De installateur is verantwoordelijk voor de juiste keuze en het juiste gebruik van de hardware om de luidsprekers goed en veilig te installeren.
- Installeer luidsprekers altijd in overeenstemming met de geldende elektriciteits- en bouwvoorschriften.
- Deze luidspreker mag alleen worden opgehangen aan zijn ophangpunten (M10 x 1,5PH, lengte 30mm).
- Hang meerdere luidsprekers niet op in een verticale opstelling.
- Houd de kabels uit de weg van de artiesten, de productiecrew en het publiek, zodat ze er niet over struikelen. Anders kan de luidspreker van het statief of de stang worden getrokken.

### Op stang monteren

- Installeer luidsprekers altijd in overeenstemming met de geldende elektriciteits- en bouwvoorschriften.
- Installeer de luidspreker volgens zijn maximale gewicht. Controleer de specificaties van uw statief of stang om ervoor te zorgen dat deze het gewicht van de luidspreker kunnen dragen. Houd alle veiligheidsmaatregelen van de fabrikant in acht.
- Hang nooit meerdere speakers op aan een statief of stang.
- Controleer altijd of het statief of de stang op een vlakke en stabiele ondergrond staan. Spreid volledig de poten van het statief en zorg ervoor dat er geen risico van struikelen bestaat.
- Controleer het statief (of de stang en bijbehorende hardware) voor elk gebruik en gebruik geen apparatuur met versleten, beschadigde of ontbrekende onderdelen.
- Wees altijd voorzichtig in winderige buitenomstandigheden. Het kan nodig zijn om extra gewicht (bv. zandzakken) op het voetstuk te leggen om de stabiliteit te verbeteren. Hang geen banners of soortgelijke voorwerpen aan een deel van een luidsprekersysteem. Dergelijke hulpstukken kunnen zich gedragen als een zeil en het systeem omver doen waaien.
- Indien u niet zeker weet of u het gewicht van de luidspreker kan tillen, vraag dan een andere persoon om u te helpen de luidspreker op het statief of de stang te heffen.
- Houd de kabels uit de weg van de artiesten, de productiecrew en het publiek, zodat ze er niet over struikelen. Anders kan de luidspreker van het statief of de stang worden getrokken.

### Geluidsniveau

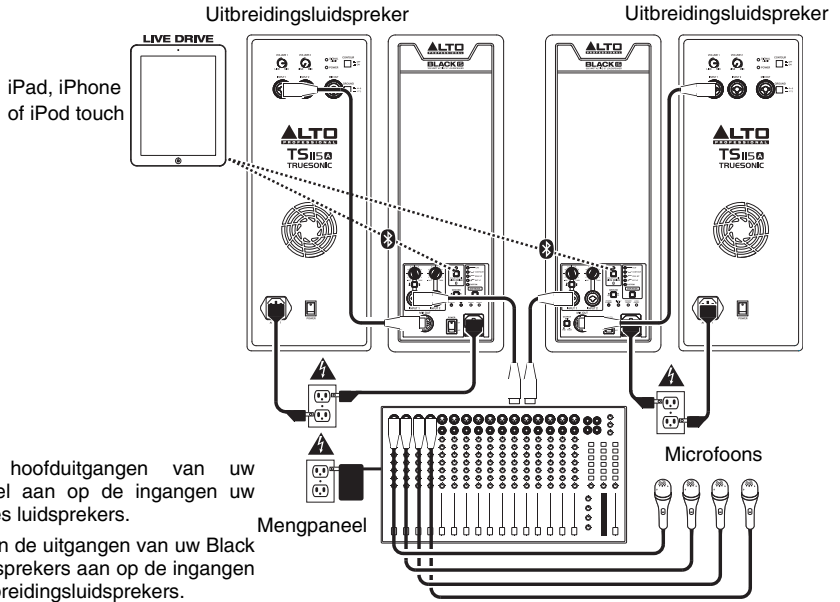
Blootstelling aan extreem hoge geluidsniveaus kan permanent gehoorverlies veroorzaken. De Amerikaanse Occupational Safety and Health Administration (OSHA) heeft voor bepaalde geluidsniveaus toelaatbare risico's vastgelegd. Volgens OSHA kan blootstelling aan een geluidsdruk (SPL) die hoger ligt dan deze grenzen tot gehoorverlies leiden. Bij het gebruik van een apparaat dat hoge SPL genereert, draagt u het best gehoorbescherming.

Uren per dag	SPL (dB)	Voorbeeld
8	90	Kleine bijeenkomst
6	92	Trein
4	95	Metro
3	97	Desktopmonitoren op hoog volume
2	100	Concert van klassieke muziek
1,5	102	Klinkmachine
1	105	Machiefabriek
.50	110	Vliegveld
.25 of minder	115	Rockconcert

## Snelstartgids / Aansluitingsschema

**Opmerking:** Alleen voorwerpen die worden vermeld in de sectie **Inhoud van de doos** van deze handleiding maken deel uit van dit product: een iPad, extra luidsprekers en subwoofers, microfoons, een mengpaneel en kabels worden apart verkocht. De Live Drive app is verkrijgbaar in de App Store.

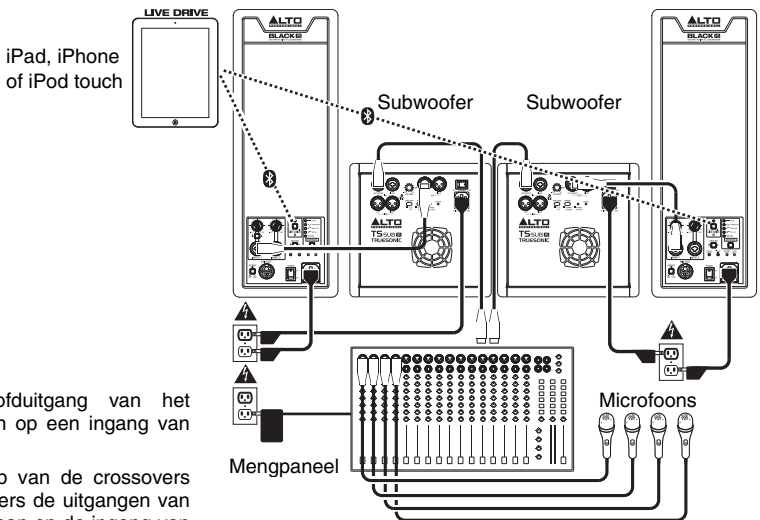
### Voorbeeld A: 4 luidsprekers (2 Black Series, 2 uitbreidingen)



Sluit de hoofduitgangen van uw mengpaneel aan op de ingangen uw Black Series luidsprekers.

Sluit elk van de uitgangen van uw Black Series luidsprekers aan op de ingangen van uw uitbreidingsluidsprekers.

### Voorbeeld B: 2 luidsprekers, 2 subwoofers



Sluit elke hoofduitgang van het mengpaneel aan op een ingang van een subwoofer.

Sluit met behulp van de crossovers van de subwoofers aan op de ingang van een Black Series luidspreker.

## De Live Drive app gebruiken

De Black Series luidsprekers zijn ook uitgerust met draadloze technologie en maken gebruik van de grenzeloze mogelijkheden van de Live Drive app voor draadloze luidsprekers van Alto Professional. U kunt er geluidsniveau, EQ-instellingen, compressie, tijduitlijning en meer mee bedienen. De Black Series brengen actieve controle van live-geluid binnen handbereik. Met behulp van de app kunt u op uw iPad of iPhone de luidsprekers aanpassen aan nieuwe locaties of de instellingen vanuit elke hoek van de zaal op afstand aanpassen. De Black Series luidsprekers bezorgen niet alleen uw publiek, maar ook u een ingrijpende nieuwe ervaring en bieden gestroomlijnde mogelijkheden voor geluidsvormgeving.

## De app downloaden

Om de app te downloaden, zoekt u in de App Store naar **Live Drive** en kunt u de Live Drive app van Alto Professional downloaden.

## Koppelen met Bluetooth

**Over het bereik:** De Black Series luidsprekers gebruiken een geavanceerde Bluetooth-antenne met een uitgebreid bereik dat veel groter is dan bij traditionele Bluetooth-apparaten. Het standaardbereik bedraagt bij een vrije zichtlijn ongeveer 30 meter (100 voet). Afhankelijk van uw geluidsbron en de omgeving kan het bereik echter variëren.

### De draagwijdte maximaliseren:

- Zet uw bronapparaat op een vlakke ondergrond en zorg ervoor dat er zich geen obstakels tussen de luidsprekers en uw apparaat bevinden (bv. muren, meubels, enz.).
- Schakel op uw apparaat WiFi uit.
- Schakel alle onnodige 2,4 GHz-apparaten uit in de nabije omgeving (bijvoorbeeld, andere Bluetooth-apparaten, babyfoons, Wi-Fi-toegangspunten, magnetrons, enz.).
- Probeer een ander Bluetooth-apparaat (iPad of iPhone). De signaalsterkte van Bluetooth varieert tussen verschillende apparaten.

### Uw luidspreker aan uw Bluetooth-apparaat koppelen:

1. Doe dit maar bij één luidspreker: Druk terwijl de luidspreker aanstaat op de koppelingsknop en laat deze weer los. Het LED-lampje gaat knipperen, waarna u uit de luidspreker een toonvolgorde hoort.
2. Activeer Bluetooth op de pagina met Bluetooth-instellingen van uw apparaat en selecteer Black Series als apparaat. Bij succesvolle koppeling hoort u een laatste 'bevestigingston' van de luidspreker en de koppelings-LED gaat continu branden. (Dit proces kan tot 30 seconden in beslag nemen).

**Belangrijk:** Als uw apparaat bij het koppelen met de luidspreker om een PIN-code vraagt, toets dan 0000 in (vier nullen).

3. Van zodra uw apparaat is gekoppeld aan uw speaker, zal de speaker het apparaat onthouden. Om de verbinding te herstellen, gaat u naar de pagina met Bluetooth-instellingen van uw apparaat en selecteert u **Verbinding maken**.

**Om alle voorgaande instellingen voor koppelen en verbinden te verwijderen,** drukt u 10 seconden lang op de koppelingsknop. U hoort een lange toon die aangeeft dat de koppelingsinstellingen zijn verwijderd. Het LED-lampje gaat uit. Nu kunt u een nieuw apparaat aansluiten.

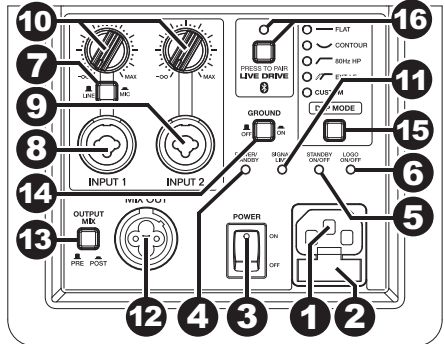
## Live Drive gebruiken

Bezoek voor meer informatie over het gebruik van Live Drive [altoprofessional.com/livedrive](http://altoprofessional.com/livedrive).

## Funcities

### Achterpaneel

1. **Voeding:** Gebruik de bijgeleverde IEC-stroomkabel op deze ingang door deze aan te sluiten op een stroombron.
2. **Zekering:** Als de zekering van het apparaat kapot is, til dan dit klepje op om de zekering te vervangen. Vervang deze door een zekering van passende waarde (afgedrukt onder de stroomkabeling van het apparaat). Het toestel kan beschadigt raken door een zekering met een foute waarde.
3. **Aan-/uitschakelaar:** Gebruik deze schakelaar om de luidspreker aan of uit te zetten.
4. **LED aan/uit en sluimerstand:** Deze LED gaat branden wanneer de luidspreker is ingeschakeld.
5. **Aan-/uitschakelaar sluimerstand:** Op deze subwoofer is standaard de sluimermodus ingeschakeld: als voor ongeveer 15 minuten geen binnenkomend audiosignaal wordt gedetecteerd, gaat de subwoofer in energiebesparende modus. De subwoofer verlaat de sluimermodus binnen de halve seconde na de detectie van een audiosignaal. Wijzig de instelling van de verzonken schakelaar naar de Uit-stand om deze functie uit te schakelen.
6. **Aan-/uitschakelaar logo:** Druk hierop om het lampje in het Alto Professional logo aan of uit te zetten.
7. **Line-/mic-schakelaar:** Druk deze schakelaar in als u aan geluidsbron 1 een microfoon koppelt. Zet deze schakelaar uit als de ingang van geluidsbron 1 op lijnniveau wordt gebruikt.
8. **Ingang 1:** Gebruik een standaard XLR- of 1/4"- (6,35 mm) kabel om uw geluidsbron met deze ingang te verbinden. Deze ingang aanvaardt bronnen op lijnniveau en microfoonniveau. Zet de Line-/mic-schakelaar op de juiste stand.
9. **Ingang 2:** Gebruik een standaard XLR- of 1/4"- (6,35 mm) kabel om uw geluidsbron met deze ingang te verbinden. Deze ingang is alleen geschikt voor bronnen op lijnniveau.
10. **Knop voor ingangsvolume:** Gebruik deze knop om het geluidsniveau in te stellen van het geluid dat naar de overeenkomstige ingang eronder wordt gestuurd.
11. **LED signaal/limiet:** Deze LED gaat groen branden wanneer een binnenkomend geluidssignaal wordt gedetecteerd. Hij gaat rood branden wanneer het niveau van het geluidssignaal te hoog is en wordt dynamisch aangepast om de luidsprekers te beschermen tegen beschadigingen of vervorming. Als de LED continu rood brandt of als het geluid erg vervormd klinkt, verlaag dan het volume van het aangesloten geluidsapparaat of pas de instelling aan van de knop Ingangsvolume.
12. **Uitgang geluidsmix:** Gebruik een standaard XLR-kabel om deze gebalanceerde uitgang aan te sluiten op de ingang van een tweede Black Series luidspreker. Het geluidssignaal wordt vanaf deze uitgang verstuurd op 0 dB, afhankelijk van de instelling van de schakelaar uitgangsmix.
13. **Schakelaar uitgangsmix:** Zet deze schakelaar uit als u wilt dat het geluidssignaal (Ingang 1 en Ingang 2) rechtstreeks naar de uitgang voor de geluidsmix wordt verstuurd en de knoppen voor ingangsvolume omzeilt. Druk deze schakelaar in als u vanuit de knoppen voor ingangsvolume van de luidspreker het signaal (Ingang 1 en Ingang 2) naar de uitgang voor de geluidsmix wilt sturen.
14. **Aardschakelaar:** Druk deze schakelaar in als u gebrom en ruis wilt verminderen.
15. **Knop DSP-modus:** Druk op deze knop om de interne DSP van de luidspreker in te stellen op een van de volgende instellingen:
  - **Vlak:** Geen veranderingen aan het geluid.
  - **Contour:** Bas en hoge tonen versterken met een geleidelijke verlagings van de middenfrequenties: een optimale instelling voor de meeste hedendaagse muziek.
  - **80Hz HP:** Een hoogdoorlaatfilter toepassen.
  - **Ext LF:** De frequentierespons van de luidspreker in het lage frequentiegebied uitbreiden en zorgen voor een betere resonantie van de lage basfrequenties.
  - **Aangepast:** Uw aangepaste DSP-instellingen toepassen, die u kunt aanpassen in de Live Drive app.
16. **Koppelingknop:** Druk kort op deze knop om de luidspreker aan uw iPad of iPhone te koppelen. De koppelings-LED gaat branden wanneer er gekoppeld wordt. Zie de sectie **Koppelen met Bluetooth** voor instructies.





## **Appendix (English)**

### **Trademarks and Licenses**

The Bluetooth word mark and logos are owned by the Bluetooth SIG, Inc. and any use of such marks by Alto Professional is under license.

App Store, iPad, iPhone, and iPod touch are trademarks or service marks of Apple Inc., registered in the U.S. and other countries.

All other product or company names are trademarks or registered trademarks of their respective owners.





**altoprofessional.com**