

### APPLICATIONS:

- Small/mid-sized PA systems
- Halls, auditoriums, amphitheatres
- Bars, restaurants, clubs
- Gymnasiums, fitness centers, and dance studios
- Houses of worship
- Mobile DJ systems and weddings
- Special events, and presentations
- Rentals

### FEATURES:

- 600 Watts Class D power
- 10" low frequency transducer, 1" neodymium driver
- 2 Mic/Line combo inputs with independent volume controls
- XLR output to link speakers
- Lightweight, trapezoidal cabinet with handle
- 100° x 60° Long throw coverage field
- Stand/pole mountable or flyable
- Clip limiter with red LED
- Ground lift switch
- Contour switch for increased EQ control
- Accurate audience coverage, not just on-axis
- Designed and tuned in the USA

### ACCURACY. POWER. PORTABILITY. AFFORDABILITY.

These are the cornerstones of TRUESONIC speakers, which provide exceptionally transparent sound for musicians and live sound engineers alike. TRUESONIC speakers enlist their ultra-pure signal path, super-efficient driver design, and durable, lightweight polypropylene enclosures to deliver precise reproduction of deep lows, crystal-clear high-end and smooth mid-range. With TRUESONIC speakers, what you put in is exactly what you get out.

### TRUESONIC TS110A

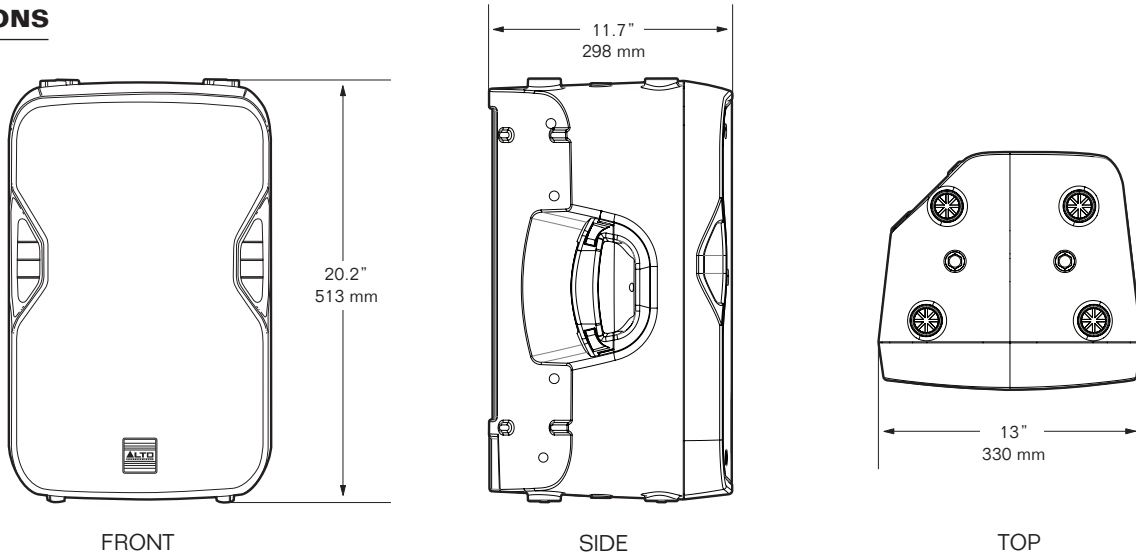
The TS110A features modern Class D amplification integrated into the cabinet. Class D amps are generally lighter than Class A and AB amplifier designs and offer substantial power for nearly any application; the TS110A delivers 600 Watts of Class D power. Both the 10" low frequency and 1" high frequency drivers in the TS110A are designed to make sure that virtually no energy is wasted. That translates into more of the power from the amplifier actually working to generate sound rather than heat, giving the TS110A better real-world performance than other loudspeakers with comparable published specifications. Inside and out, every component of the TS110A was developed to provide accurate, transparent, powerful sound.



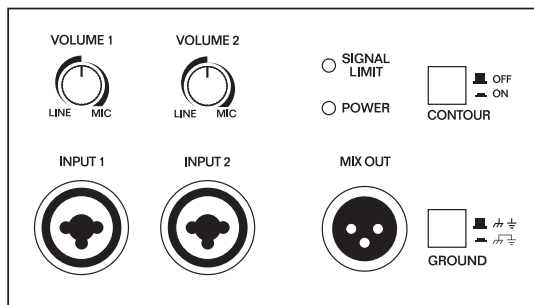
### SPECIFICATIONS

<b>Transducer Low:</b>	10" Woofer, with 1.5" voice coil
<b>Transducer High:</b>	Neodymium compression driver, 1" exit with 1" voice coil
<b>Power Amplification:</b>	600 Watts peak (470 W LF + 130 W HF) 300 Watts continuous (235 W LF + 65 W HF)
<b>Frequency Range (-10 dB):</b>	53 Hz - 20 kHz
<b>Frequency Response (±3 dB):</b>	70 Hz - 19 kHz
<b>Maximum SPL @ 1 m :</b>	123 dB peak, 120 dB continuous
<b>-6 dB Nominal Coverage:</b>	(80° / 100° H x 60° V)
<b>Active Crossover:</b>	2.5 kHz
<b>Connectors:</b>	2 x Mic / Line Female XLR - 1/4" combo inputs 1 x Loop - Out Male XLR
<b>Input Control:</b>	Line / Mic -∞ to +50 dB Maximum input level +23 dBu, Input Impedance 15 kOhms
<b>External Controls:</b>	Volume, Power switch with LED indicator, Clip/Limit LED, Ground Lift switch
<b>Protection Features:</b>	Over-excursion, Thermal, Driver
<b>AC Power:</b>	100 VAC, or 110 – 120 VAC, or 220 - 240 VAC (50 / 60 Hz)
<b>Enclosure:</b>	Trapezoidal, with floor monitor capability. Injection molded polypropylene enclosure, with perforated steel grille.
<b>Mounting:</b>	Integrated pole-socket (36 mm dia.) One handle, four M10 threaded sockets: 2 top, 2 bottom, 1 pullback
<b>Dimensions (HxWxD):</b>	20.2" x 13" x 11.7" (513 mm x 330 mm x 298 mm)
<b>Weight (Net/Shipping):</b>	25.3 lbs (11.5 kg) / 29.76 lbs (13.5 kg)

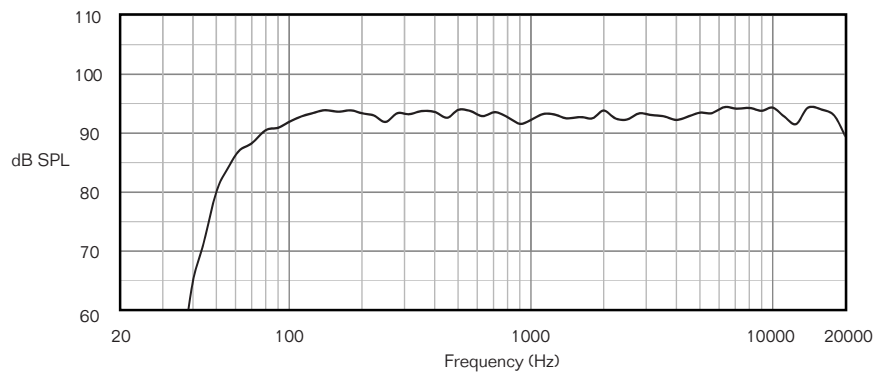
**DIMENSIONS**



**CONNECTORS**



**ON AXIS FREQUENCY RESPONSE**



**BLOCK DIAGRAM**

